

PACKARD ELECTRIC DIVISION
GENERAL MOTORS CORPORATION
WARREN, OHIO

-0-
1101

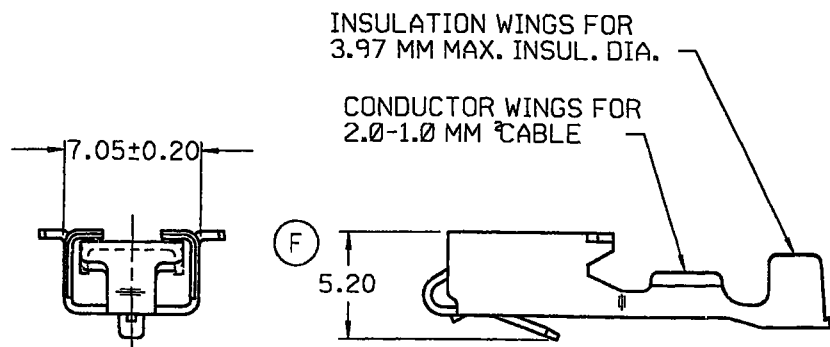
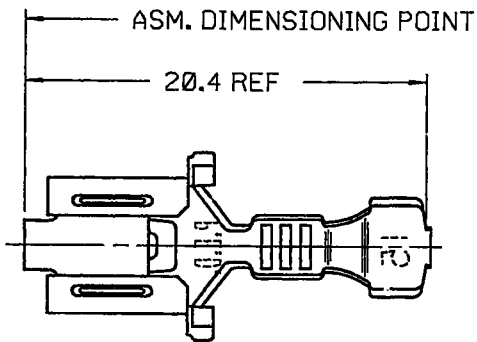
122P
36A
61P

D

THIS DRAWING AND DESIGN HEREON CONSTITUTES A PROPRIETARY DESIGN OF PACKARD ELECTRIC DIVISION AND IS NOT TO BE DUPLICATED OR REPRODUCED WITHOUT AUTHORITY OF PACKARD ELECTRIC DIVISION.

DO NOT SCALE

PART NO.
1201 5865



WARNING
GEOMETRY MAY NOT BE DRAWN TO SCALE

DATE	SYM	REVISION RECORD	AUTHORITY	DR	CK
18JL88	—	REDRAWN & REVISED; "PATENT PENDING"			
		REMOVED - REV LEVEL REMAINS AT "C"	120124	AL	DVS
18JL88	D	PICTURE REVISED	120125	AL	DVS
18JL88	E	PICTURE REVISED	120126	AL	DVS
30JN93	F	REVISED GRAPHICS - 5.20 WAS 5.40	154898	RLB	BKD

		FILE: ronburn /usr2/ronburn/5865.plt SPEC: 31-AUG-1993 20:35	
THIRD ANGLE PROJECTION 		METRIC DIMENSIONS ARE IN MILLIMETERS UNLESS OTHERWISE SPECIFIED.	
CODE NO. 6900	TOLERANCE UNLESS OTHERWISE SPECIFIED DECIMAL: ANGULAR ±2° ONE PLACE ± 0.3 TWO PLACE ± 0.15		
DWG. DATE 06JN80	SCALE NONE	DR.	
EST. NO.	SHEET #1	CK. F. HESTON	DATE 12JA85
REFERENCE NO. 12015135	"E" SIZE	APPR. R.D. KEARNS	DATE 31JA85
MATERIAL SPEC. 0.406 THK. TIN BRASS - TIN PLATED			
NAME TERM F M/P 630 SPL			
PART NO.	1201 5865		SIZE B
OUTLINE DRAWING			