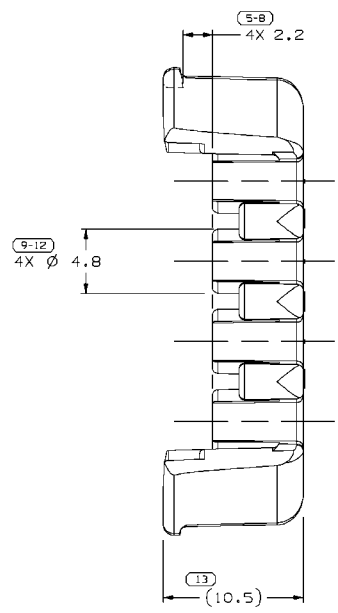
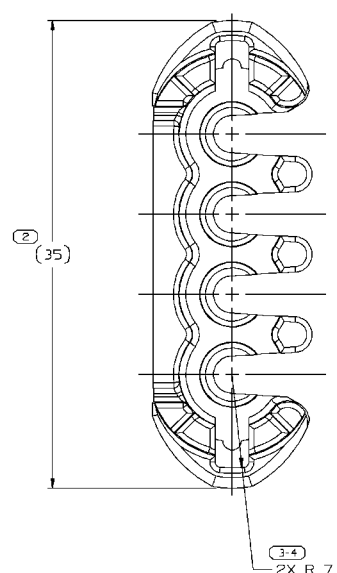
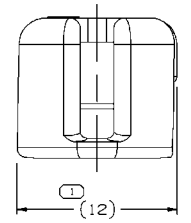


SYMBOL DEFINITION		MISSING NUMBERS		DWG STATUS				REVISION HISTORY			AUTH	DR	CK	APVD	
DATE	STG	REV	CHG	N/P	ZONE	DATE	STG	REV	N/P	ZONE					
04N098	R	001	-	-		04N098	R	001	-	-	ALL PARTS - REDRAWN TO PD; 12047948	188898	06G	GMC	JR
04N098	R	002	-	-		04N098	R	002	-	-	ALL PARTS - UPDATED PDM ATTRIBUTES	191525	06G	GMC	JR
045E00	R	003	-	-		045E00	R	003	-	-	12186478 - MATL' SPEC WAS R0063785	202903	JYD	GMC	DN



- NOTES
- UNLESS OTHERWISE SPECIFIED AND/OR INDICATED: DIMENSIONS ARE TO FACE OF VIEW SHOWN AND AUTOMATICALLY ROUNDED BY COMPUTER FOR INSPECTION. (SEE MATH MODEL FOR PRECISE DIMENSIONS.) FOR ALL OTHER DIMENSIONS NOT SHOWN BUT REQUIRED FOR TOOL BUILD, SEE MATH MODEL FOR PRECISE TOOL PATH DATA.
 - MATING COMPONENTS OR EQUIVALENT: CONNECTOR 12047947

DELPHI Automotive Systems		DIMENSIONAL RANGE (MM) SURF F	
MATERIAL SPEC SEE CHART		FROM 0 > 20 > 30 > 70 > 100	
PART DRAWING		TOLERANCE UNLESS OTHERWISE SPECIFIED	
CODE NUMBER 6900		TOL. IS +0.21 (+0.31) ±0.41 ±0.5	
DWG DATE 24FE96		ANGULAR TOLERANCE ± 2°	
SCALE 5:1		DISTR CODE	
GC SPEC		VOLUME cm³ SEE DWG	
PART GEOMETRY 3D SOLID		UNLESS OTHERWISE SPECIFIED:	
UG		PERFECT FORM REQUIRED FOR FEATURES OF SIZE AT MMC. TRUE POSITION TOLERANCES AND RELATED DATUMS APPLY AT CONDITION OF SIZE INDICATED IN FEATURE CONTROL FRAME. ALL OTHER GEOMETRIC TOLERANCES AND RELATED DATUMS APPLY RFS. SEPARATE TRUE POSITION CALLOUTS MAY BE GAGED SEPARATELY, REGARDLESS OF DATUM REFERENCE.	
CHANGE RESTRICTED NO MANUAL CHANGES		REFERENCE	
COPY OF MATH DATA DO NOT SCALE		DR	
METRIC UNLESS OTHERWISE SPECIFIED ALL DIMENSIONS ARE IN MILLIMETERS		DATE	
THIRD ANGLE PROJECTION		DRAWING NUMBER	
SHEET NUMBER 1 of 1		DRAWING NUMBER 12186580	
DRAWING NUMBER 12186580		DWG STATUS	
PART NO		STG	
REV		REV	
N/P		N/P	
STATUS		SIZE	
MATERIAL SPECIFICATION AND COLOR		R 003 -	
VOL CM³		A1	
DIMENSIONS ENCLOSED IN () INDICATE REFERENCE DIMENSIONS AND NO TOLERANCE LIMITS ARE ESTABLISHED			

PART NO	STG	REV	N/P	STATUS	MATERIAL SPECIFICATION AND COLOR	VOL CM³	(9-12) PROCESS SENSITIVE DIMENSION
12186478	R	002	-		R0071769 PA66 HS 1M GRA-LT	1.228	
12047948	R	F	-		R0071754 PA66 HS 1M-BLK	1.228	