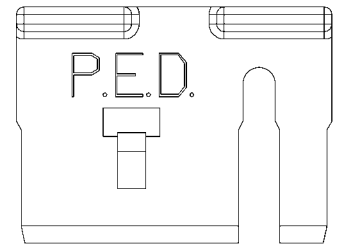
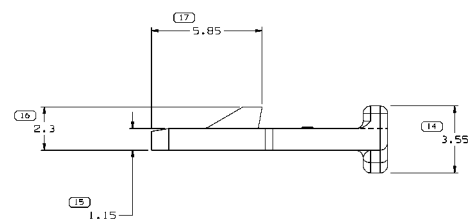
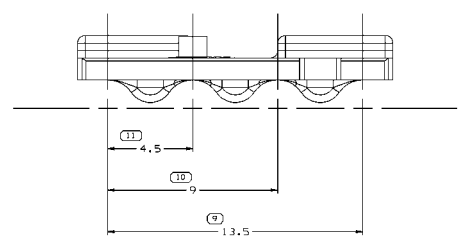
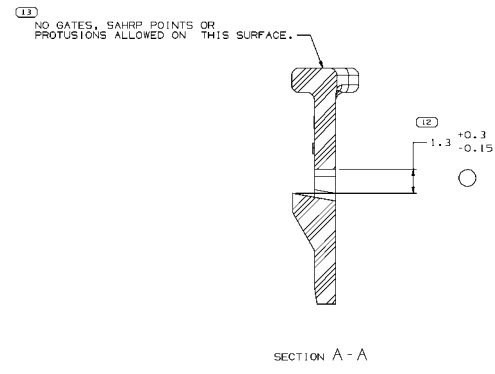
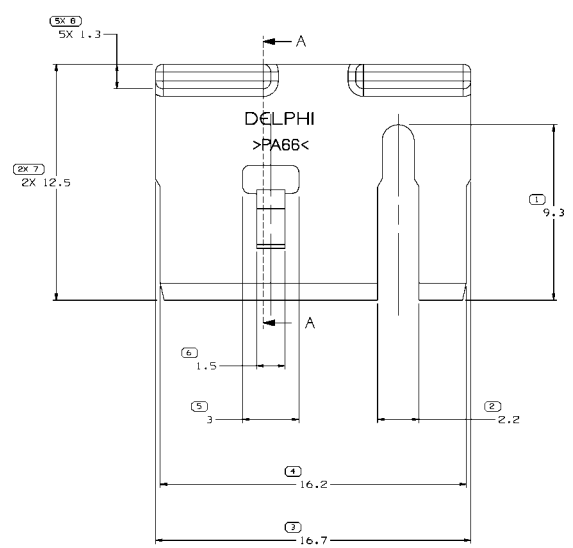


SYMBOL DEFINITION		MISSING SYMBOLS	
A DIMENSION WITHOUT AN INSPECTION REPORT SYMBOL DOES NOT REQUIRE INSPECTION. IT MAY BE CONTROLLED ON THE INDIVIDUAL COMPONENT DRAWING.	TOTAL NO OF INSPECTIONS REQUIRED	NO MISSING SYMBOL NUMBER	22
	LAST NO. USED		17

DATE	REV	BY	CHK	ZONE	REVISION HISTORY	AUTH	DR	APP	APP
19JUN01	R	E3	-	-	REDRAWN TO PD	206410	JTD	EDM	CMC
19JUN01	R	06	-	-	REVISED MAT'L SPEC	207231	JTD	EDM	CMC
25NOV02	R	06	AA	-	1.3 +0.3/-0.15 WAS 1.3 NO.15	233849	RE	RA	ET



OPTIONAL CONSTRUCTION

- NOTES
- UNLESS OTHERWISE SPECIFIED AND/OR INDICATED: DIMENSIONS ARE TO FACE OF VIEW SHOWN AND AUTOMATICALLY ROUNDED BY COMPUTER FOR INSPECTION (SEE MATH MODEL FOR PRECISE DIMENSIONS). FOR ALL OTHER DIMENSIONS NOT SHOWN BUT REQUIRED FOR TOOL BUILD, SEE MATH MODEL FOR PRECISE TOOL PATH DATA. ALL RADII: 0.4 DRAFT IS 1° MAX ON ALL OUTSIDE SURFACES
 - TOOL CAVITY IDENTIFICATION SHOULD BE LOCATED AS CLOSE TO THE GATE AS POSSIBLE.
 - MATERIAL RECYCLING CODE >PA66< PER SAE J1344. (11X10.1) RAISED CHARACTERS AS SHOWN TO BE LOCATED ON ANY EXTERIOR SURFACE. OPTIONAL CONSTRUCTION TO BE NO MATERIAL RECYCLING CODE.
 - THIS PART IS NOT CONTROLLED FOR AUTOMATIC FEEDING.
 - MATING COMPONENTS OR EQUIVALENT: CONNECTOR 12092162 & 12092163
 - (11X10.1) RAISED DELPHI CORPORATE BRAND TO BE LOCATED ON ANY EXTERIOR SURFACE, PREFERABLY VISIBLE AT FINAL ASSEMBLY. OPTIONAL CONSTRUCTION TO BE "PED" OR NO LOGO.

DIMENSIONING ENCLOSED IN () INDICATES REFERENCE DIMENSIONS AND NO TOLERANCE UNLESS OTHERWISE SPECIFIED		THIRD ANGLE PROJECTION		DO NOT SCALE	
()	PROCESS SENSITIVE DIMENSION				

DELPHI
DELPHI PACKAGED ELECTRIC SYSTEMS
MATERIAL

DATE	19JUN01
APP'D: J. YEE	20JUN01
APP'OR: E. VAZQUEZ	21JUN01
APP'ED: G. MACTIAS	
APP'OR:	
APP'ED:	

SUBSTANCES OF CONCERN AND RECYCLED CONTENT PER DELPHI 12092162

TPA M/P 150

12092164

SHEET NO 1 OF 1