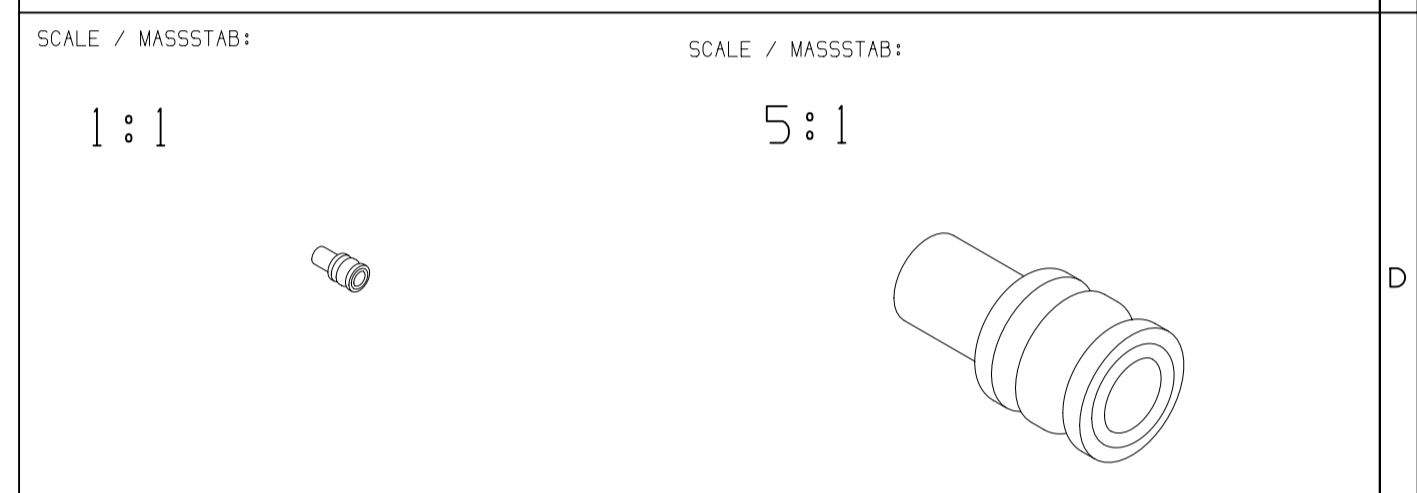
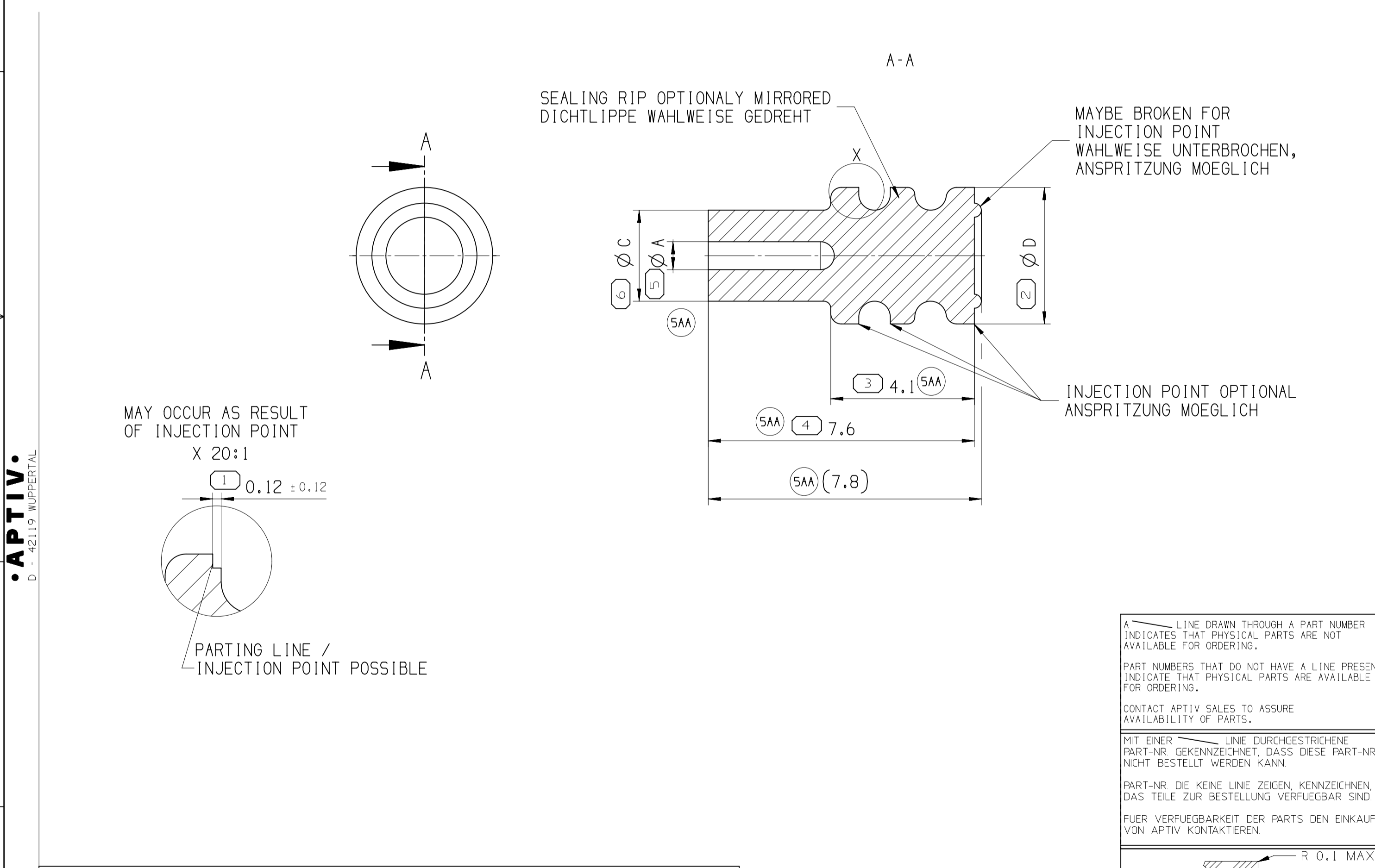


CAVITY PLUG BLINDSTOPFEN				POS	CAVITY KAMMER Ø ±0.10	MATERIAL WERKSTOFF	OIL CONTENT %	COLOR FARBE	DIMENSION MASS			
PART-NO.	PART-NO.	PART- REV	DATE DATUM						A	B	C	D
12198198	402 656	01	09AU07	1	3.60 (3)	SILICONE RUBBER 50 SHORE A	2	WHITE WEISS	0.8	--	2.6	3.9
13735537	---	01	15OC08	1	3.60 (3)	SILICONE RUBBER 50 SHORE A	2	BLUE BLAU	0.8	--	2.6	3.9 (4)
(5) 35385926	---	01	21AU19	1	3.60	SILICONE RUBBER 50 SHORE A	0	GREEN GRUEN	0.8	--	2.6	3.9
33225924	---	01	05MR15	1	3.60	SILICONE RUBBER 50 SHORE A	0	WHITE WEISS	0.8	--	2.6	3.9 (5AA)

DWG STATUS					ZONE	REVISION HISTORY	AUTH	DR	APVD 1	APVD 2
DATE	STG	REV	N/P	CHG						
08DE92		02				ADDED VIEW X ANSICHT X HINZU		J.LES	R.WIS	
28AP93		03				DRAWING ON CAD DRAWN UP ZEICHNUNG AUF CAD NEU ERSTELT		J.KOR	M.WIE	
09AU07	R	03	AA			DRAWING ON UG NEW DRAWN UP ZEICHNUNG AUF UG NEU ERSTELT		A.ZAR	FRIMM	M.SKR
04SE08	R	03	AB		F7	CABLE DIA. REMOVED/ LEITUNG DURCHM. ENTFERNT		FRIMM	R.GUT	M.SKR
15OC08	R	04			F5-8	PART 13735537 ADDED TEIL 13735537 HINZU		W.SZO	FRIMM	K.PIT
09JN15	R	04	AA			POSSIBLE POSITION OF INJECTION POINT ADDED MOEGELICHE POSITION DES EINSPRITZPUNKT HINZU		V.KAS	K.STO	SYS
21AU19	R	05		--	F8	PART 35385926 ADDED/HINZU		T.MAZ	V.KAS	SYS
28AP22	R	05	AA		D6	CHAMFER REMOVED & DIM 7.8 CHANGED TO REFERENCE DIMENSION NUMBER ADDED DIM 4.3 REMOVED AND 7.6 & 4.1 ADDED 33225924 ADDED		R.SUR	K.PAT	T.BOL

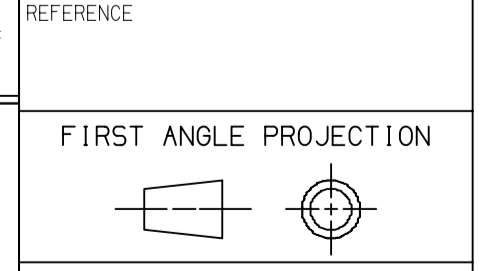


DWG TYP PART DRAWING	
WEIGHT (GR)	DISTR CODE
VOLUME (CM³)	
ROUTING	

UNLESS OTHERWISE SPECIFIED

GENERAL TOLERANCES
ACCORDING TO:
SEE CHART
SIEHE TABELLE

GD&T
ACCORDING TO:
ISO 1101



DO NOT
SCALE

USE MATH
DATA

CAD

INX

• APTIV •

CONNECTION SYSTEMS
D-42119 WUPPERTAL

REVISOR: 2015

COPYRIGHT 1994 APTIV. ALL RIGHTS RESERVED.
THIS DRAWING IS THE PROPERTY OF APTIV AND CONTAINS APTIV CONFIDENTIAL INFORMATION. THE REPRODUCTION, DISTRIBUTION AND UTILIZATION OF THIS DOCUMENT OR ITS RELATED CAD MATH DATA, AS WELL AS COMMUNICATION OF ANY CONTENT TO OTHERS, WITHOUT EXPRESS AUTHORIZATION, IS PROHIBITED.

DIESE ZEICHNUNG IST EIGENTUM DER FIRMA DELPHI UND ENTHAELT DELPHI VERTRAULICHE INFORMATIONEN DIE REPRODUKTION, VERTEILUNG UND NUTZUNG DIESES DOKUMENTES ODER DEREN ZUGEHORIGEN CAD DATEN, ODER AUCH ALS KOMMUNIKATION VON BELIEBIGEN INHALT ZU ANDEREN, IST OHNE BERECHTIGUNGSPRUEFUNG DURCH DIE DELPHI CORPORATION UNZULAESSIG.

DR	J.KOREN	DATE	28AP93
APVD1	M.WIESE		08N094
APVD2	R.WISNIEWSKI		09N094
APVD3			
APVD4			
APVD5			

SUBSTANCES OF CONCERN AND RECYCLED CONTENT PER APTIV 10949001
POTENTIELL GEFAEHRLICHE STOFFE UND REZYKLATANTEIL
GEMAESS DELPHI 10949001

MATERIAL
SEE CHART / SIEHE TABELLE

DRAWING NAME
CAVITY PLUG
BLINDSTOPFEN

DRAWING NUMBER
13661690

SIZE	SCALE	FRAME NO	SHEET NO	STG	REV	N/P
A2	10:1	1 OF 1	1 OF 1	R	05	AA

KEY PRODUCT CHARACTERISTICS				
	SAFETY/COMPLIANCE		FIT/FUNCTION	TOTAL ON DRAWING 0
	S/C CHECKPOINTS		F/F CHECKPOINTS	LAST NO. USED 0
NO & TYPE	DESCRIPTION	RATIONALE	PTS	ZONE

DIM TO CHECK PRUEFMASSE	DIMENSIONAL RANGE (MM)										CHART E1
	FROM	> 0	> 20	> 30	> 70	> 100	> 150	> 200	> 250	> 300	
() DIM FOR HELP HILFSMASSE		20	30	70	100	150	200	250	300	400	
THEORETIC DIM THEORE. MASSE	±0.15	±0.2	±0.3	±0.4	±0.5	±0.6	±0.8	±1	±1.2		

ANGULAR TOLERANCE ±2°

• APTIV •
 D - 42119 WUPPERTAL

CONTROLLED DOCUMENTS ARE ONLY AVAILABLE ON THE SERVER
 User: mzygmz Part: 13661690-CUS51-S01/05AA Date: 29-Apr-22 Time: 13:22:34
 zygumz, 04292022, 09:51, 750pass, cus