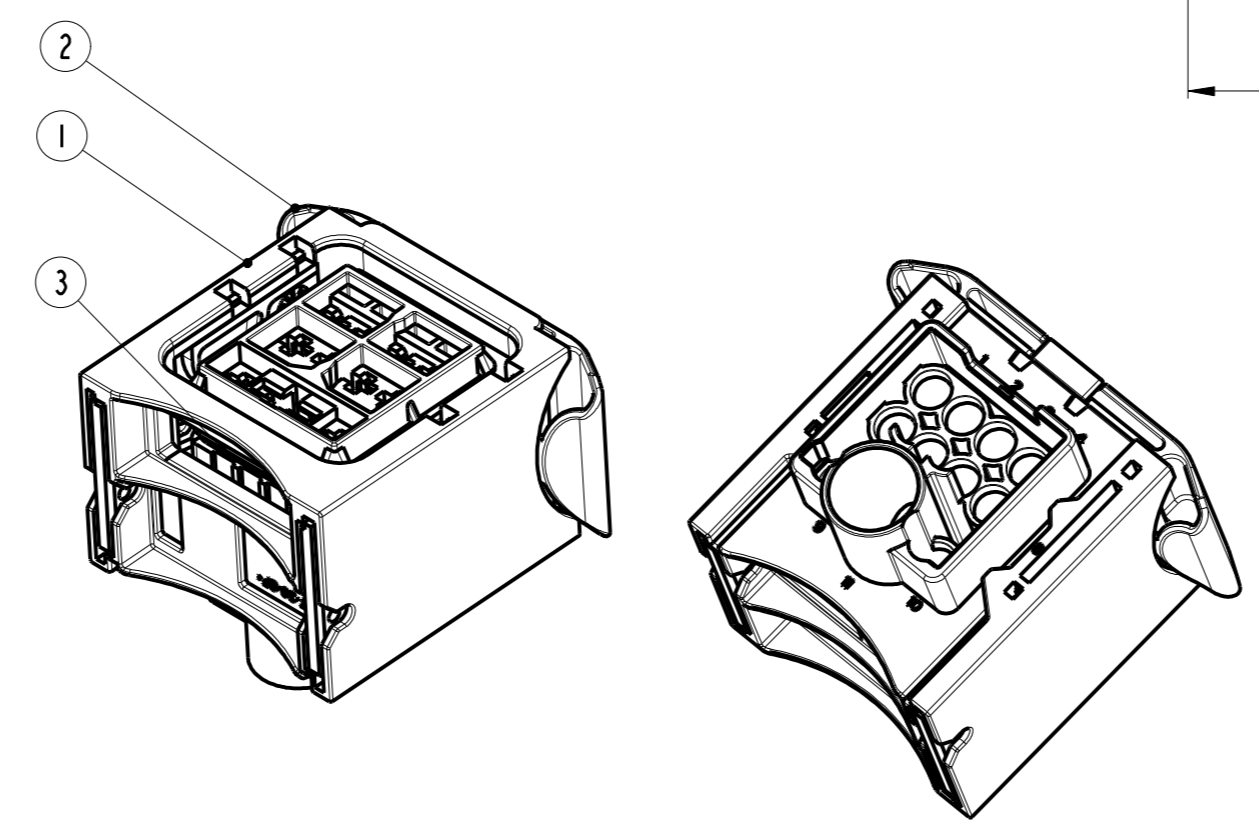
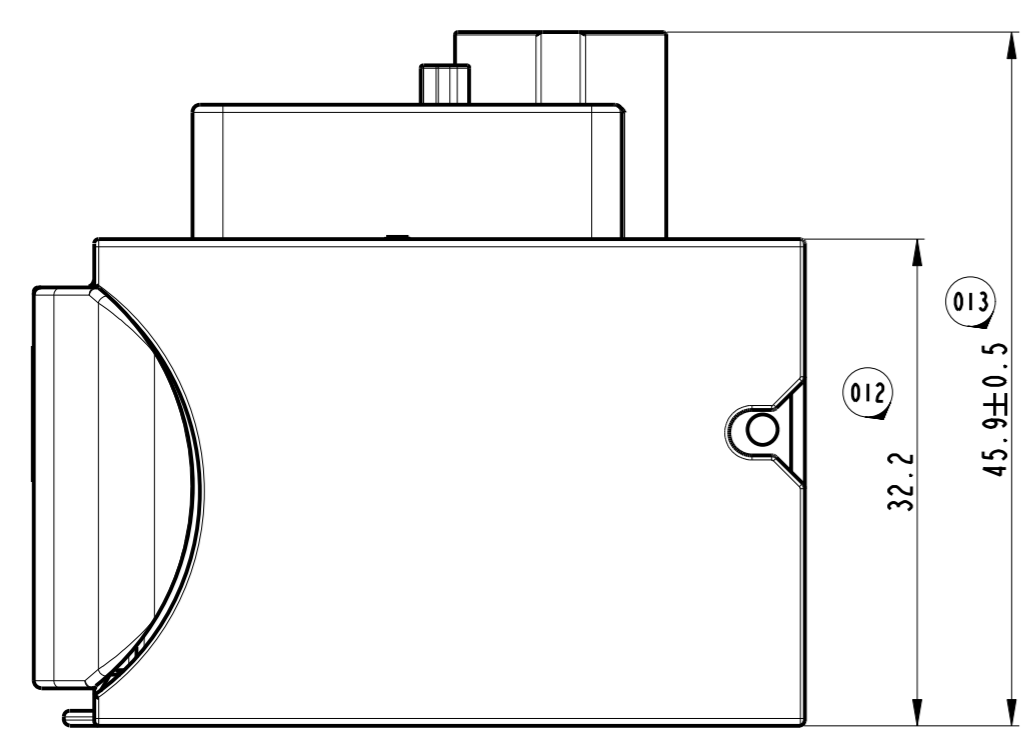
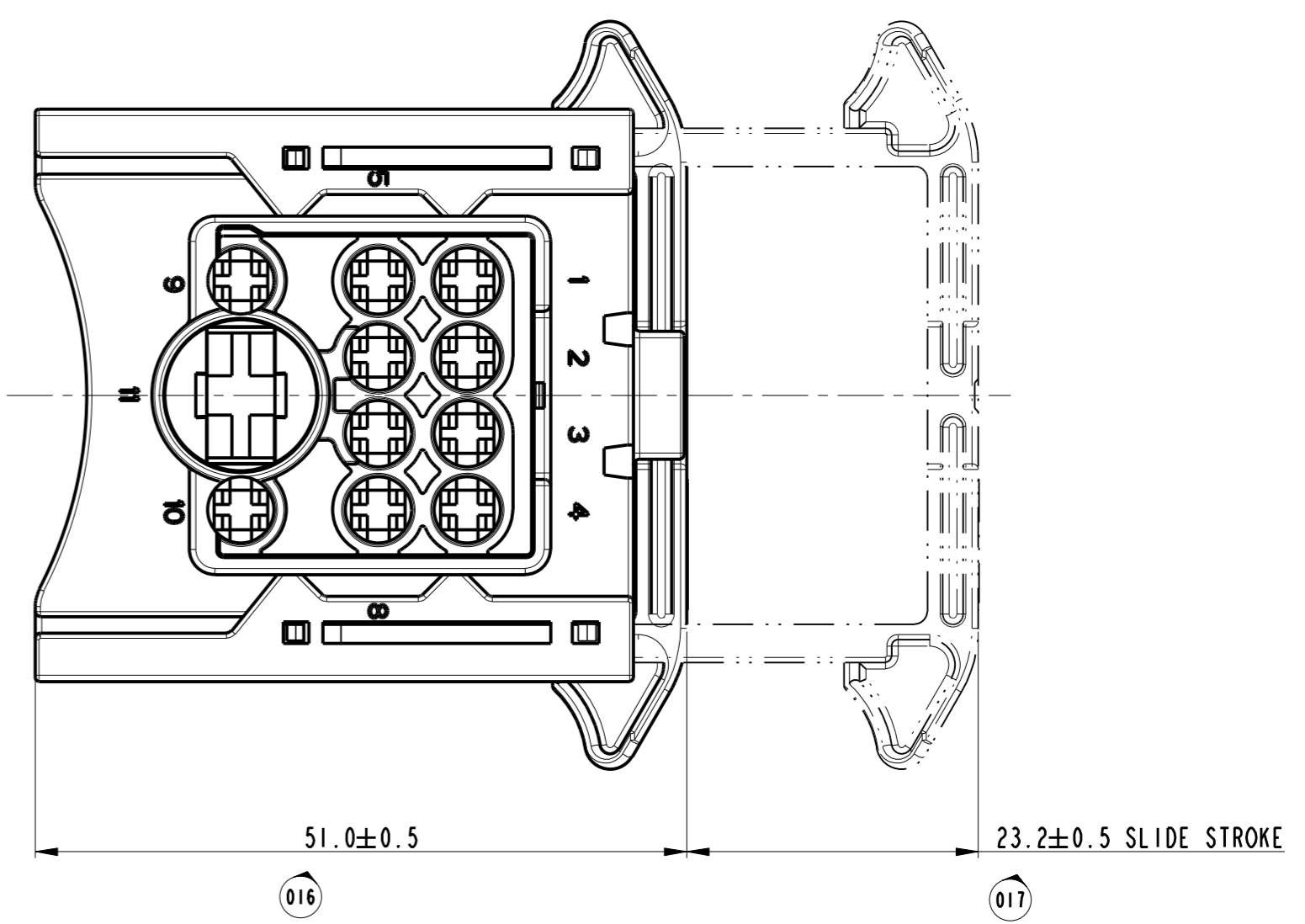
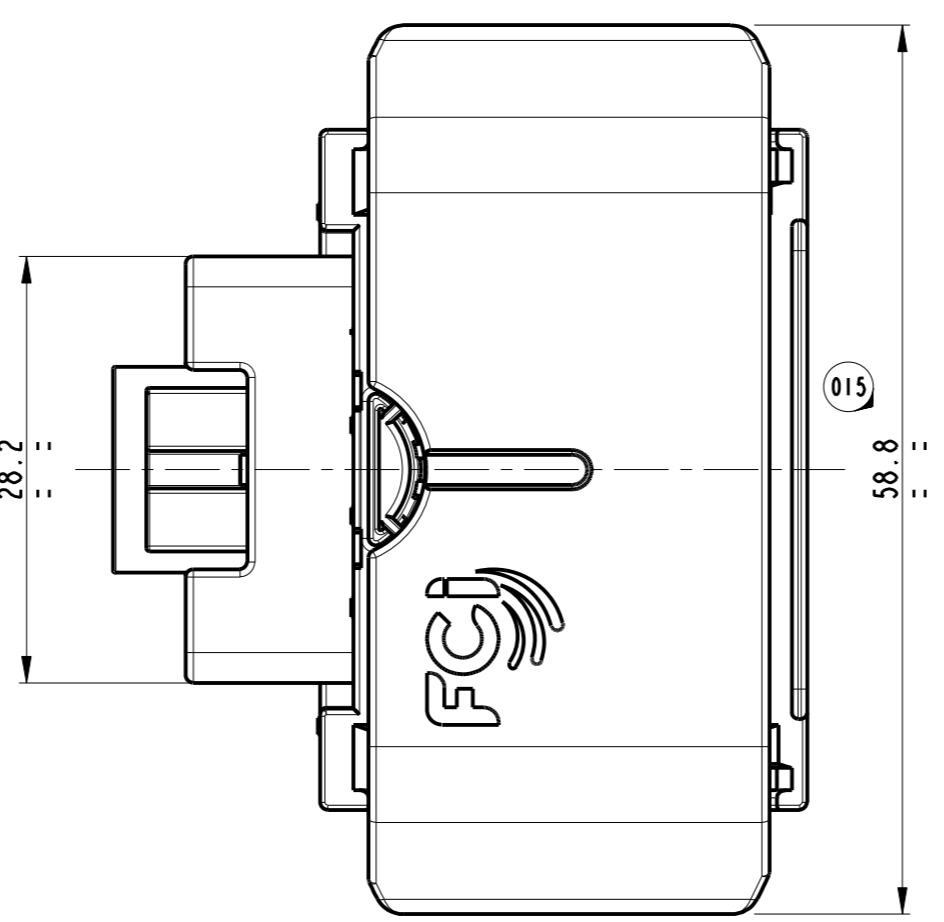
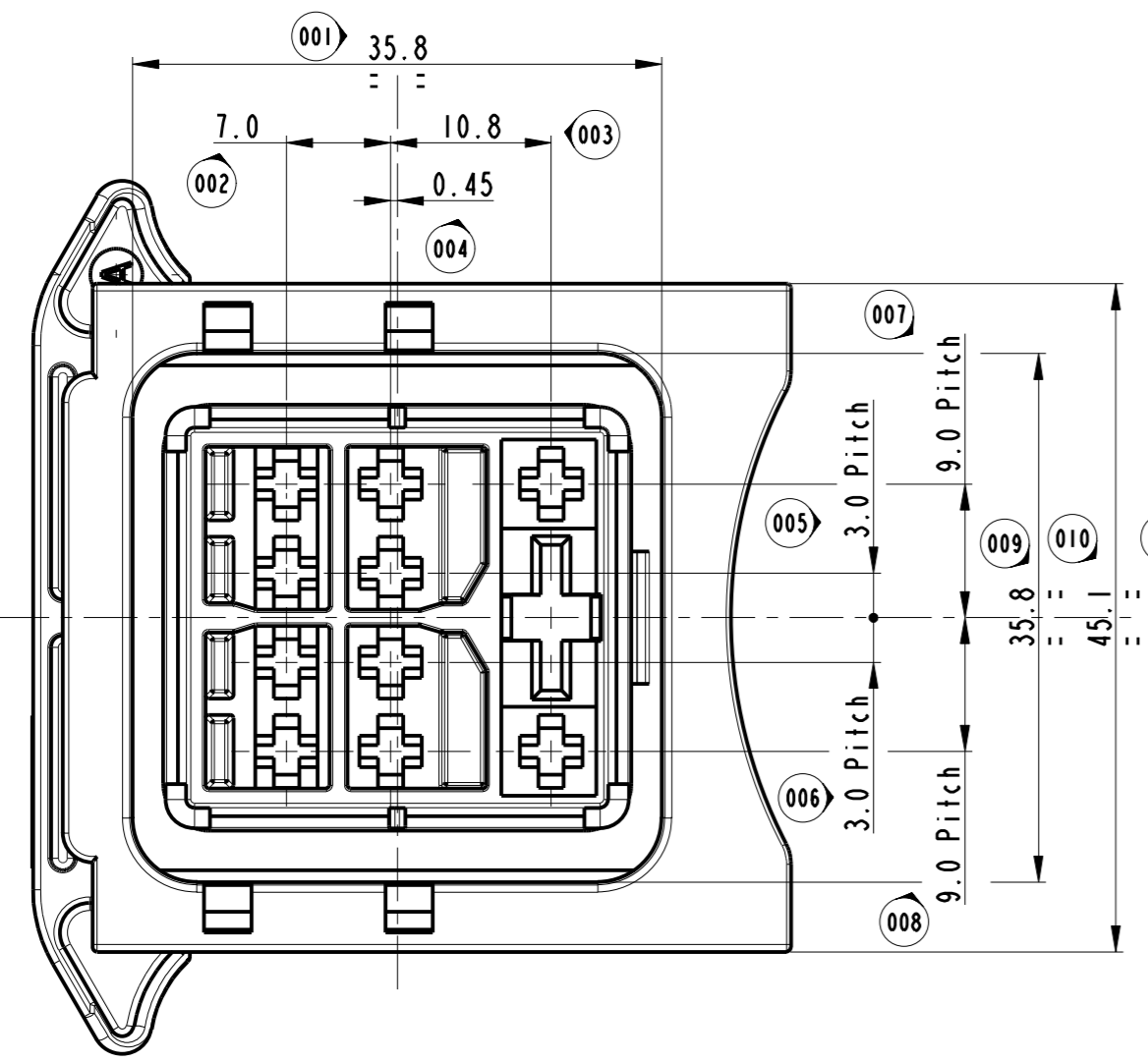


LAY OUT 11 WAY



9.5mm FEMALE TERM. MVL F682210 DPN 33517392	8.0-10.0	MVL 60993304 DPN 10889241 YELLOW	5.4-6.6	MVL 60993306 DPN 12186633 WHITE
9.5mm FEMALE TERM. MVL F582210 DPN 33517391	6.0	MVL 60993301 DPN 15327788 BLACK	3.8-5.2	
9.5mm FEMALE TERM. MVL 60070451 DPN 10780236	4.0	MVL 60993308 DPN 13546490 GREEN	3.4-3.7	
DCS2 2.8mm FEM. TERM. MVL 60012941 DPN 10779097	1.5-2.5	MVL 60994034 DPN 10779161 YELLOW	2.7-2.9	MVL 60994007 DPN 10779160 GREEN
		MVL 60994023 DPN 10779159 RED	2.2-2.6	
DCS2 2.8mm FEM. TERM. MVL 60012931 DPN 10789065	0.5-1.0	MVL 60994015 DPN 10779162 BLUE	1.2-2.0	
DCS2 2.8mm FEM. TERM. MVL 60012911 DPN 10811334	0.35			
USABLE TERMINAL FOR THIS CONNECTOR	WIRE SIZE	P/N SWS COLOUR	Ø INSULATION	P/N CAVITY PLUG COLOUR

ASSEMBLY CONFIGURATIONS

LAY OUT	9 WAY	7 WAY	10 WAY	11 WAY	
	BLIND CAVITIES				
P/N	1721105 REV.A	F554310 REV.A	F654310 REV.A	1721105A REV.A	
DPN	13653766	33504496	33504497	13773530	
CLOSED CAVITIES	5, 8	2, 3, 5, 8	9	none	
1 HOUSING	BLACK	DARK BROWN	DARK GREEN	GREY	PBT GLASS FIBER
2 SLIDE	RED	RED	RED	VIOLET	PA66 GLASS FIBER
3 SEAL	RED	RED	RED	RED	SILICON RUBBER
REF. COMPONENT					MATERIAL
					COLOR

CR-16/5199	16-05-2017	G	UPDATED FRAME AND ADDED DPN		GF	R.B	IG
16-17465	22-03-2016	F	Updated Material info due to a previous error		GF	R.B	IG
--	30/11/12	E	Correction dimension 013, 010 and general tolerance value		DT		MC
--	06/11/12	D	Correction on dimension 001and 010. New Logo		DT		MC
12-01246	26/09/12	C	PN F682210 replaced 60070471 and F582210 replaced 60070461		DT		MC
12-00609	07/05/12	B	Added new layout Tray and 10way (ESR EU-120263) and layout 11way				
			Modified cavities position of the 9way as the 11way (ref eca 12-01212)		DT		MC
12-00042	08/02/12	A	Changed Slide colour and drawing description		DT		MC
ECN-NO. NUMBER-ECN	DATE DD / MM / YY	REVISION REVISIONE	POSITION POSIZIONE	CHANGE DESCRIPTION DESCRIZIONE MODIFICA	DRAWN BY DISSEGNA	CHK. BY VERIFICATORE	APPR. BY APPROVATO
PRODUCT SPEC. SPEC. DI PRODOTTO	PACKAGING SPEC. SPEC. DI IMBALLAGGIO	APPLICATION SPEC. SPEC. DI APPLICAZIONE	COPYRIGHT DELPHI CORPORATION AND/OR ITS AFFILIATES. ALL RIGHTS RESERVED. REVISED THIS DRAWING IS THE PROPERTY OF DELPHI CORPORATION. THE REPRODUCTION, DISTRIBUTION AND UTILIZATION OF THIS DOCUMENT OR ITS RELATED CAD DATA, AS WELL AS COMMUNICATION OF ANY CONTENT TO OTHERS, WITHOUT EXPRESS AUTHORIZATION IS PROHIBITED. QUESTO DISEGNO È PROPRIETÀ DI DELPHI CORPORATION E CONTIENE INFORMAZIONI CONFIDENTIALI. LA RIPRODUZIONE, DISTRIBUZIONE E UTILIZZAZIONE DI QUESTO DOCUMENTO O DELLE SUE RELATIVE MATEMATICHE CAD, NONCHÉ LA COMUNICAZIONE DI QUALSIASI CONTENUTO AD ALTRI, SENZA ESPLICITA AUTORIZZAZIONE, È PROIBITA.				
TOLERANCES TOLLERANZE	± 0.3mm / ± 0.7	MATERIAL MATERIALE	SEE TABLE	SURFACE FINISH FINITURA SUPERFICIALE	DELPHI PACKARD ELECTRICAL/ELECTRONIC ARCHITECTURE TORINO, ITALY		
COUNTERPART N. CONTROPARTE N.		COLOUR COLORE	SEE TABLE		DIMENSION IN MILLIMETERS DIMENSIONI IN MILLIMETRI		
DO NOT SCALE DRAWING DISEGNO FUORI SCALA		TOOL NO.		LOC. CODE NAZIONALITÀ	CAD SYSTEM pro / eng.		
DRAWN BY DISSEGNA	DATE DATA	NAME NOME	TITLE DESCRIZIONE	DRAWING NUMBER NUMERO DISEGNO			
CHECKED BY CONTROLLATO	30/07/04	R.P.	CONNECTOR FOR GLOW PLUG UNIT	FSD 309771			
APPROVED BY APPROVATO	30/07/04	T.C.		SCALE SCALA 1:1			
				FILE NAME HOME FILE	FSD309771		