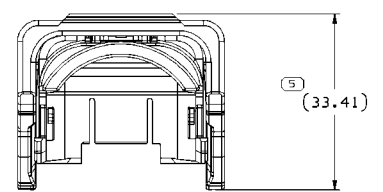
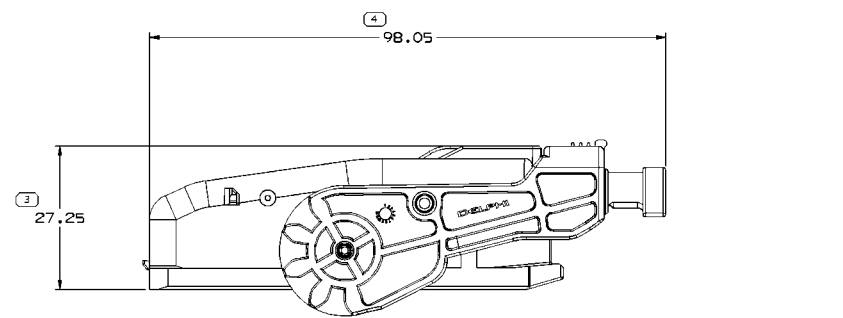
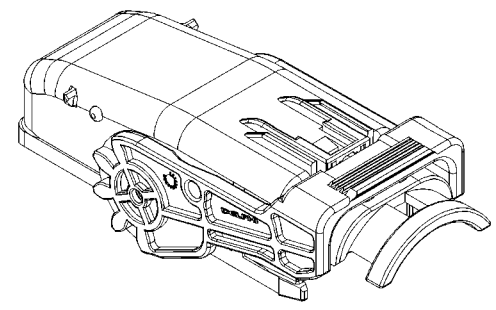
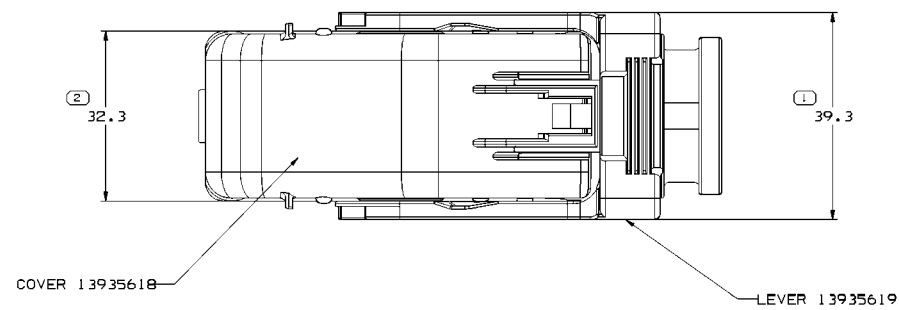


SYMBOL DEFINITION	
A DIMENSION WITHOUT AN INSPECTION REPORT SYMBOL DOES NOT REQUIRE INSPECTION. IT MAY BE CONTROLLED ON THE INDIVIDUAL COMPONENT DRAWING.	TOTAL NO OF INSPECTIONS REQUIRED
	5
	LAST NO. USED
	5

MISSING SYMBOLS		DATE		DWG STATUS		ZONE		REVISION HISTORY		AUTH		DR		APVD	
NO MISSING SYMBOL NUMBER		12SE12	R	01	-	-		RELEASED PART DRAWING		416580	XN	SBH	R.Z	1	2



- NOTES
- UNLESS OTHERWISE SPECIFIED AND/OR INDICATED:
DIMENSIONS ARE TO FACE OF VIEW SHOWN AND AUTOMATICALLY ROUNDED BY COMPUTER FOR INSPECTION (SEE MATH MODEL FOR PRECISE DIMENSIONS). FOR ALL OTHER DIMENSIONS NOT SHOWN BUT REQUIRED FOR TOOL BUILD, SEE MATH MODEL FOR PRECISE TOOL PATH DATA.
 - THIS PART HAS BEEN DESIGNATED AS AN "APPEARANCE ITEM" AND REQUIRES AN "APPEARANCE APPROVAL REPORT" FOR PPAP.
 - THIS PRODUCT IS NOT CATEGORIZED AS AN APPEARANCE ITEM, MINOR IMPERFECTIONS INCLUDING, BUT NOT LIMITED TO, FLOW MARKS, COLOR BLEMISHES, GATE VESTIGES, AND SOFT FLASH THAT DO NOT AFFECT THE FIT, FORM, OR FUNCTION OF THE PART ARE PERMISSIBLE PER DPNP-4.7-CS-01.
 - REFERENCE MATING COMPONENTS OR EQUIVALENT: 13935600.

13958012	R	01	-	13935618	13935619
PART NO	STG	REV	N/P	COVER	LEVER

DIMENSIONAL RANGE (MM)		CHART #	
FROM	> 0	> 30	> 100
TO	6	70	100
		150	200
		250	300
		400	
	±0.1	±0.2	±0.3
	±0.4	±0.5	±0.6
	±0.8	±1	±1.2
	ANGULAR TOLERANCE ±2°		

LINE DRAW THROUGH A PART NUMBER	
INDICATES THAT PHYSICAL PARTS ARE NOT AVAILABLE FOR ORDERING.	
PART NUMBERS THAT DO NOT HAVE A LINE PRESENT INDICATE THAT PHYSICAL PARTS ARE AVAILABLE FOR ORDERING.	
UNLESS OTHERWISE SPECIFIED, THIS DOCUMENT IS IN ACCORDANCE WITH ASME Y14.5M-1994 AS AMENDED BY THE QM GLOBAL DIMENSIONING AND TOLERANCING ADDENDUM-2004.	
ALL DIMENSIONS ARE IN MILLIMETERS	
REFERENCE	
THIRD ANGLE PROJECTION	DO NOT SCALE
USE MATH DATA	NX

DELPHI
DELPHI PACKARD ELECTRICAL/ELECTRONIC ARCHITECTURE

INDICATES THAT PHYSICAL PARTS ARE NOT AVAILABLE FOR ORDERING.

INDICATES THAT PHYSICAL PARTS ARE AVAILABLE FOR ORDERING.

UNLESS OTHERWISE SPECIFIED, THIS DOCUMENT IS IN ACCORDANCE WITH ASME Y14.5M-1994 AS AMENDED BY THE QM GLOBAL DIMENSIONING AND TOLERANCING ADDENDUM-2004.

ALL DIMENSIONS ARE IN MILLIMETERS

REFERENCE

THIRD ANGLE PROJECTION

DO NOT SCALE

USE MATH DATA

NX

DELPHI PACKARD ELECTRICAL/ELECTRONIC ARCHITECTURE
COPYRIGHT 2012 DELPHI CORPORATION AND/OR ITS AFFILIATES. ALL RIGHTS RESERVED.

THIS DRAWING IS THE PROPERTY OF DELPHI CORPORATION. THE REPRODUCTION, DISTRIBUTION AND UTILIZATION OF THIS DOCUMENT OR ITS RELATED CAD MATH DATA, AS WELL AS COMMUNICATION OF ANY CONTENT TO OTHERS, WITHOUT EXPRESS AUTHORIZATION IS PROHIBITED.

DR	DATE
APV01 XIANG NI	12SE12
APV02 SUIBIN HUANG	12SE12
APV03 ROBBIN ZHANG	12SE12
APV04	
APV05	

SUBSTANCES OF CONCERN AND RECYCLED CONTENT PER DELPHI 10949001

MATERIAL SEE CHART

DRAWING NAME: ASM COV CONN

DRAWING NUMBER: 13958012

SIZE	SCALE	FRAME NO	SHEET NO	STG	REV	N/P
A1	2:1	1	OF 1	1	OF 1	R 01 -