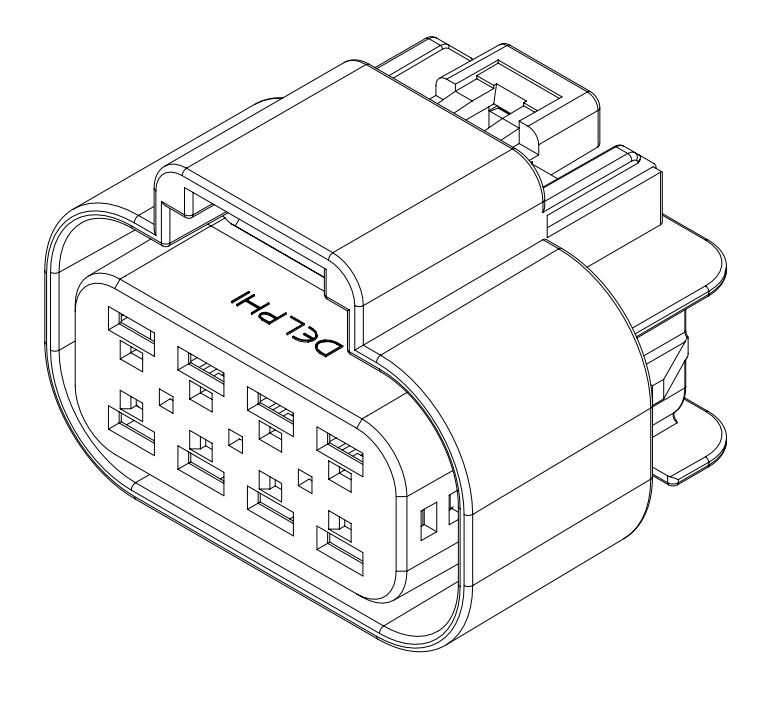
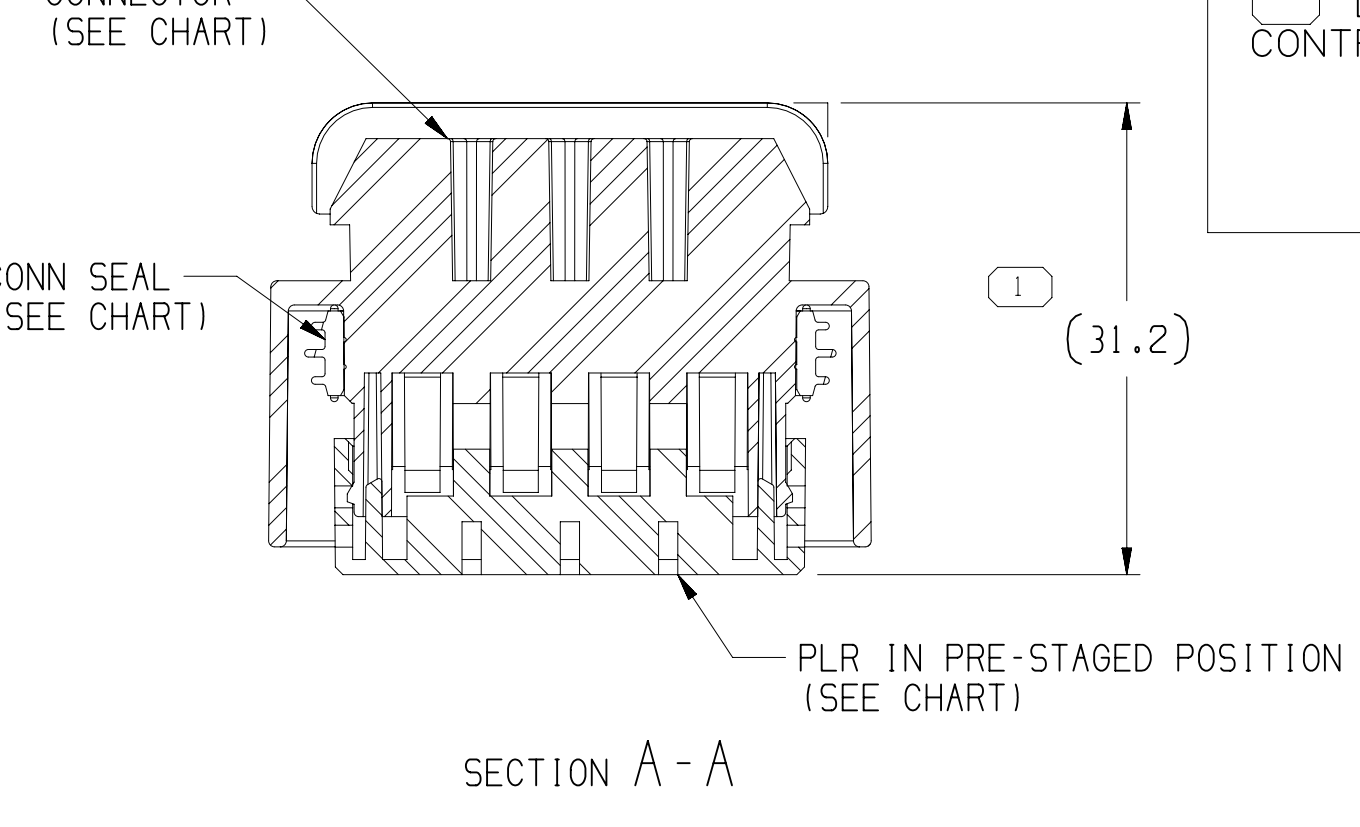
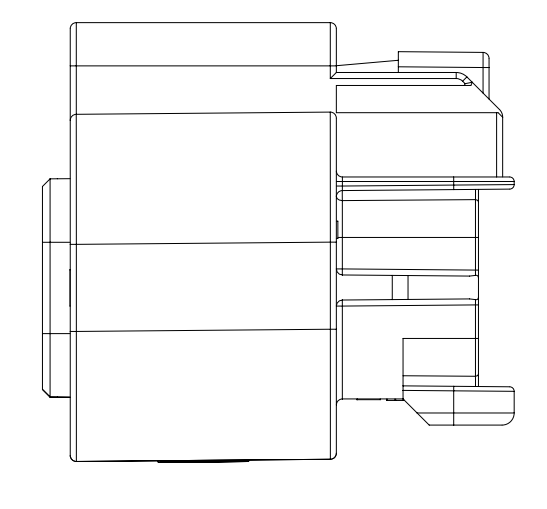
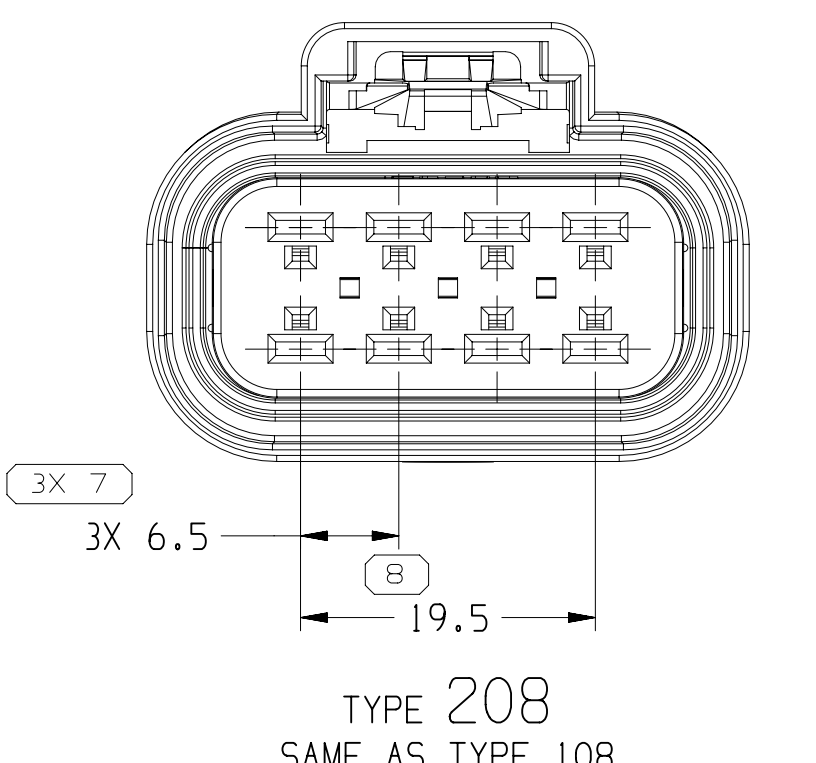
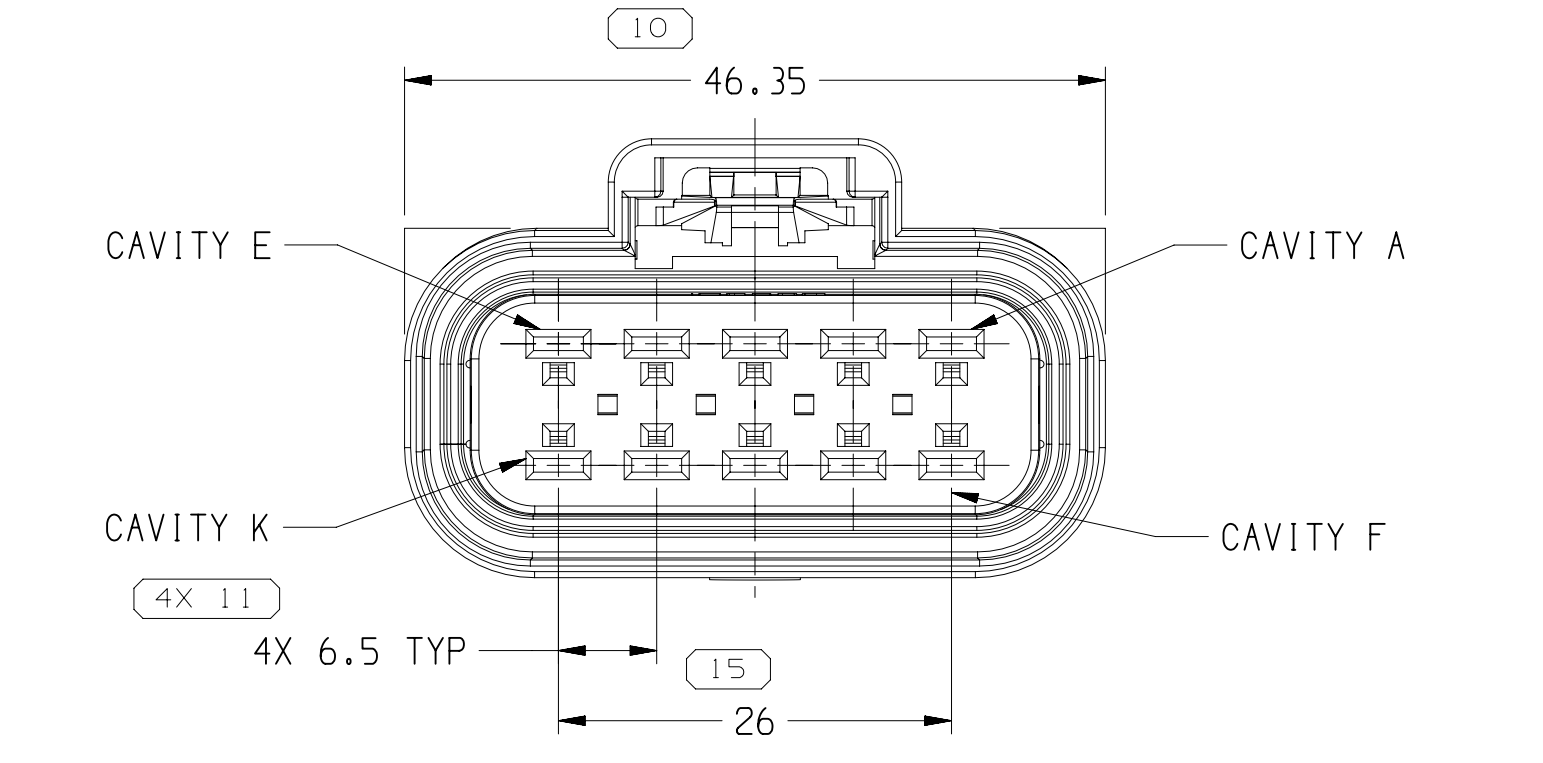


SYMBOL DEFINITION		TOTAL NO OF INSPECTIONS REQUIRED	MISSING SYMBOLS
A DIMENSION WITHOUT AN INSPECTION REPORT SYMBOL DOES NOT REQUIRE INSPECTION. IT MAY BE CONTROLLED ON THE INDIVIDUAL COMPONENT DRAWING.		70	NO MISSING SYMBOL NUMBER
		LAST NO. USED	30

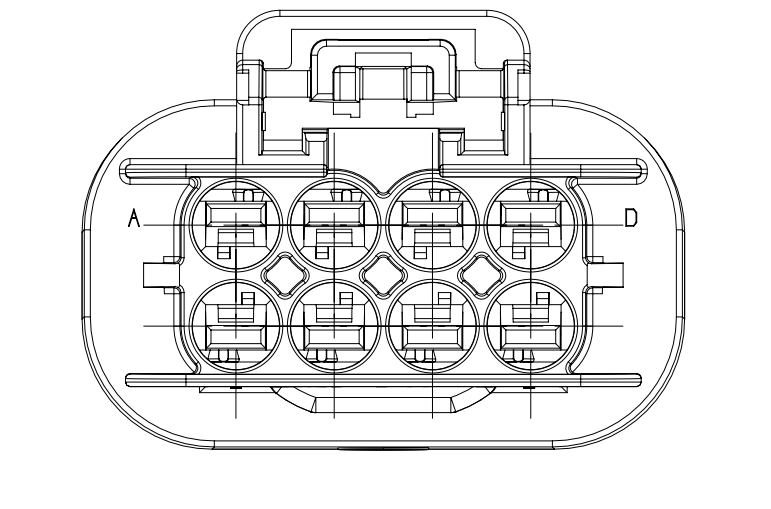
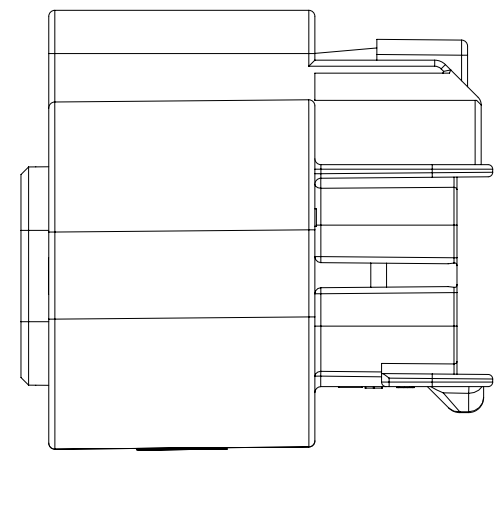
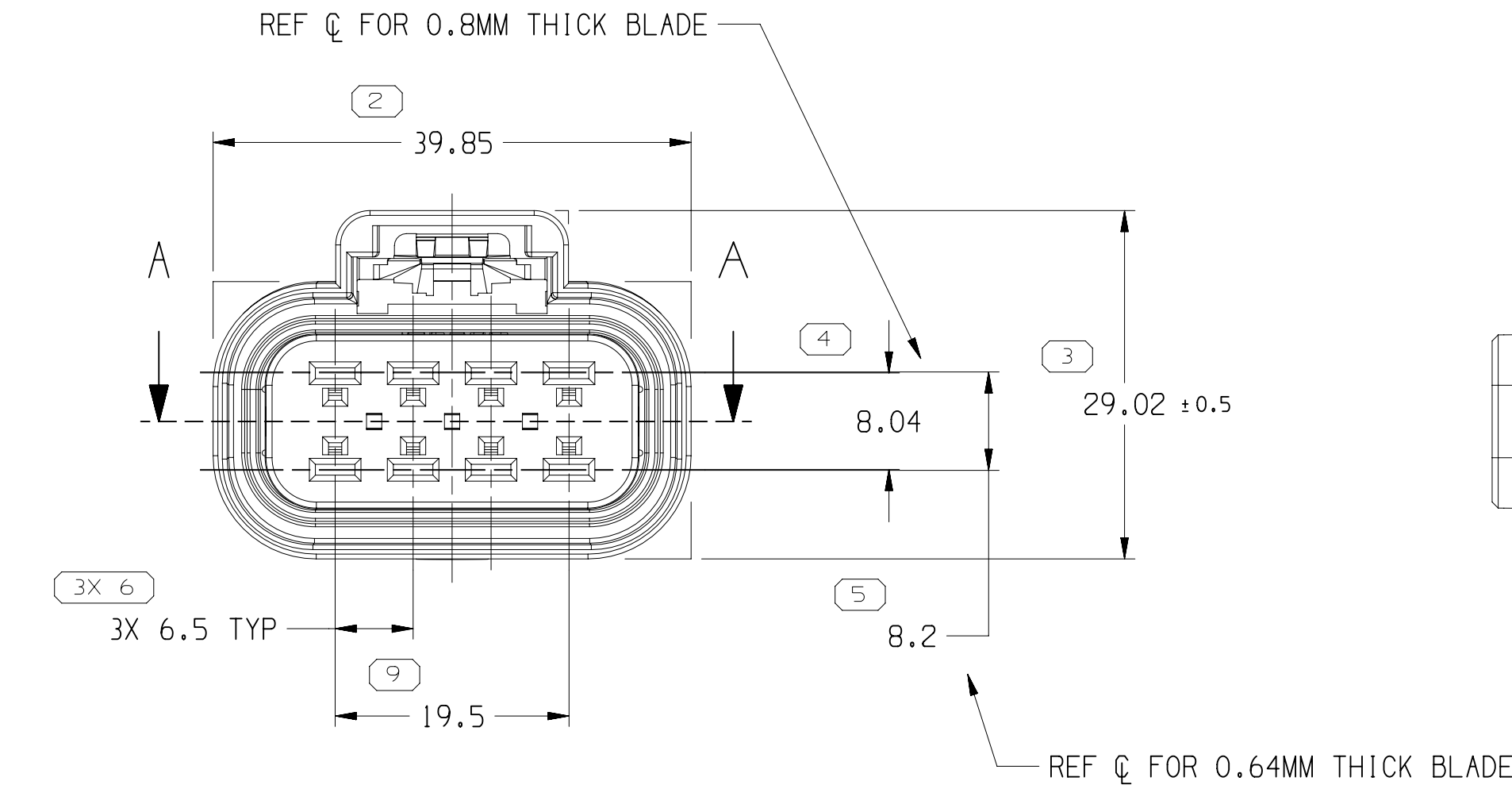
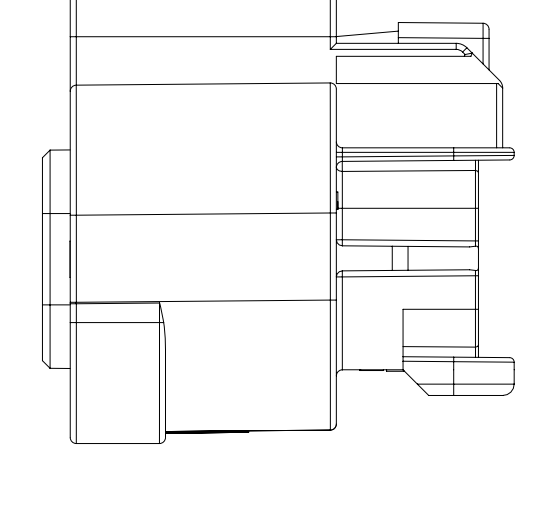
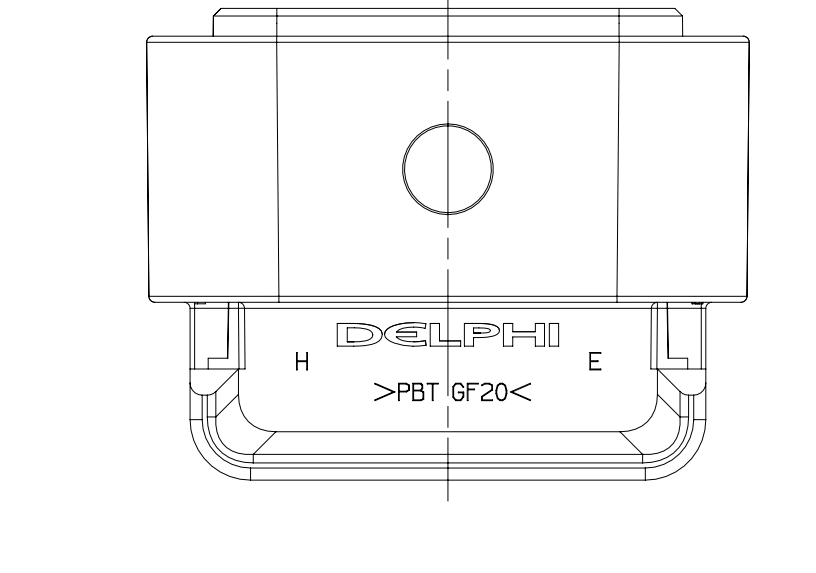
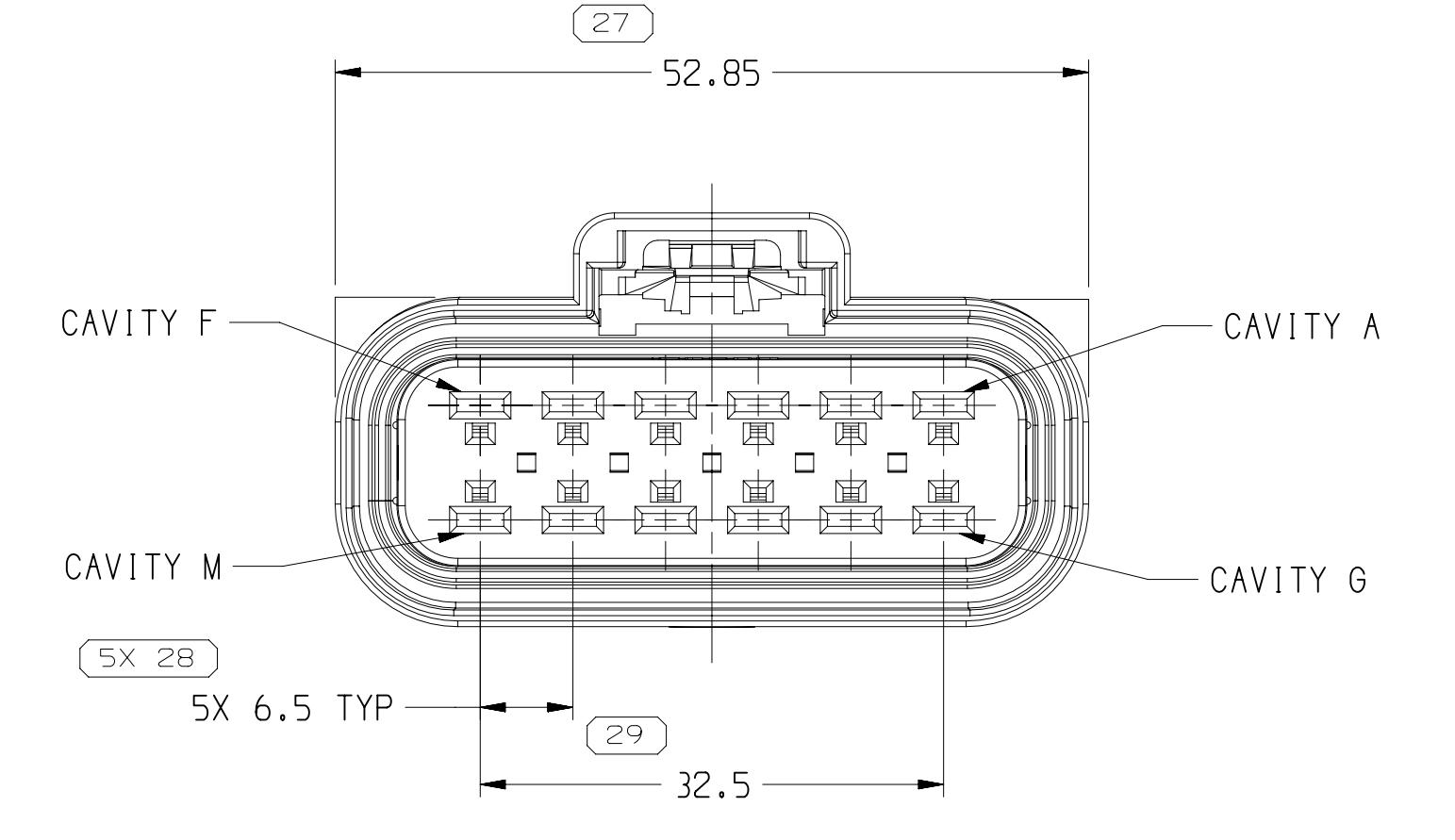
DATE	STG	REV	N/P	CHG	ZONE	REVISION HISTORY		AUTH	DR	APVD	REV
						REV	DESCRIPTION				
25AU99	R	02	-	-	-		CLEARED REVISION COLUMN PART DRAWING UPDATED	196586	DRR	DRR	1
190C99	R	03	-	-	-		ALL PARTS - REVISED GRAPHICS	196725	LMM	RMM	2
14JL03	R	04	-	-	-		ALL PARTS - REVISED CHART TO SHOW MATING TPA P/Ns; REVISED MATING COMPONENT NOTE, ADDED CPA P/N	242960	ADK	ADK	3
22SE05	R	05	-	-	-		13538370 & 13540547 - RELEASED	272748	LMB	LMB	4
09MR06	R	06	-	-	-		ALL PARTS - TERMINAL 15304720 WAS 15304718, CABLE SEAL 15366067 WAS 12191232; 15326654 - 39.85 WAS 39.9, 29.02 +/-0.5 WAS 29; 15326660 - 46.37 WAS 46.4; 15326666 - 65.85 WAS 65.9; 15326910 - 52.85 WAS 52.9; 15326917 - 59.35 WAS 59.4; 13538370 - UPDATED PD ATTRIBUTES; 13540547 - REVISED DELPHI LOGO & VIEW TYPE LABEL	277561	MAC	MAC	5
26AP06	R	07	-	-	-		13540547 - 29.77 +/-0.37/-0.2 WAS 29.77	279991	JPH	FKV	6
17MY06	R	08	-	-	-		ALL PARTS - UPDATED PDM ATTRIBUTES; 15326654 - RESTRICTED AND ADDED REPLACED BY COLUMN IN CHART	280598	CCV	JVM	7
23MR07	R	09	-	-	-		15326654, 15326660, 15326666, 15326910 & 15326917 - UPDATED PDM ATTRIBUTES	400960	JBD	JVM	8
20FE08	R	10	-	-	-		ALL PARTS - ADDED COL TO CHART FOR "RECOMMENDED USAGE", APPLICATION DATA NOTE & APPEARANCE ITEM NOTE; REMOVED COL FROM CHART FOR "REPLACED BY", PART ACCEPTS NOTE, MATING CONFIGURATION NOTE, REFERENCE MATING NOTE, MATING TPA COL, CONFIS REQ COL, MATING CONN ASM COL AND REVISED MAT'L CALLOUT TO GENERIC CALLOUT & MATERIAL RECYCLING CODE LABEL; 15326654 - REMOVED RESTRICTED STATUS; 13672060, 13658980 & 13672062 - RELEASED; 15326654 & 15326917 - ADDED NOTE FOR RECOMMENDED USAGE	402837	JTV	AUG	9
28AU12	R	11	-	-	-		ALL PARTS - REVISED MATING FORCE NOTE AND ADDED CAVITIES COLUMN IN CHART	419436	APB	JAA	10
25MY22	R	12	-	-	-		ADDED "SHT 1 OF 2"	557519	AHY	JAA	11



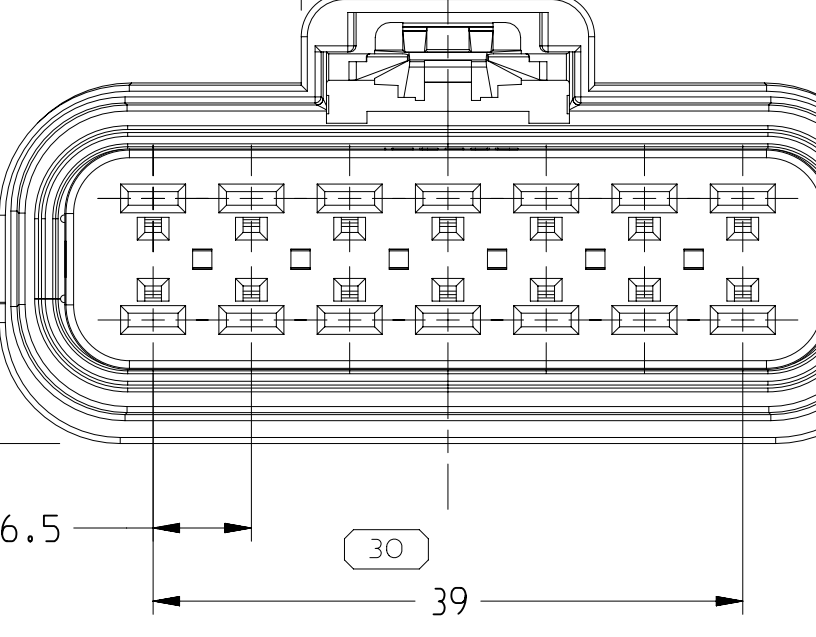
TYPE 110
SAME AS TYPE 108
EXCEPT AS SHOWN

TYPE 208
SAME AS TYPE 108
EXCEPT AS SHOWN

SECTION A-A

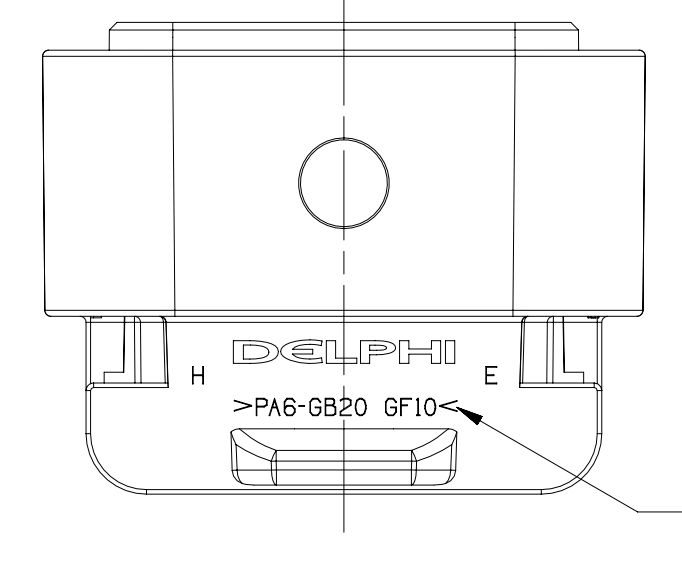


TYPE 112
SAME AS TYPE 108
EXCEPT AS SHOWN

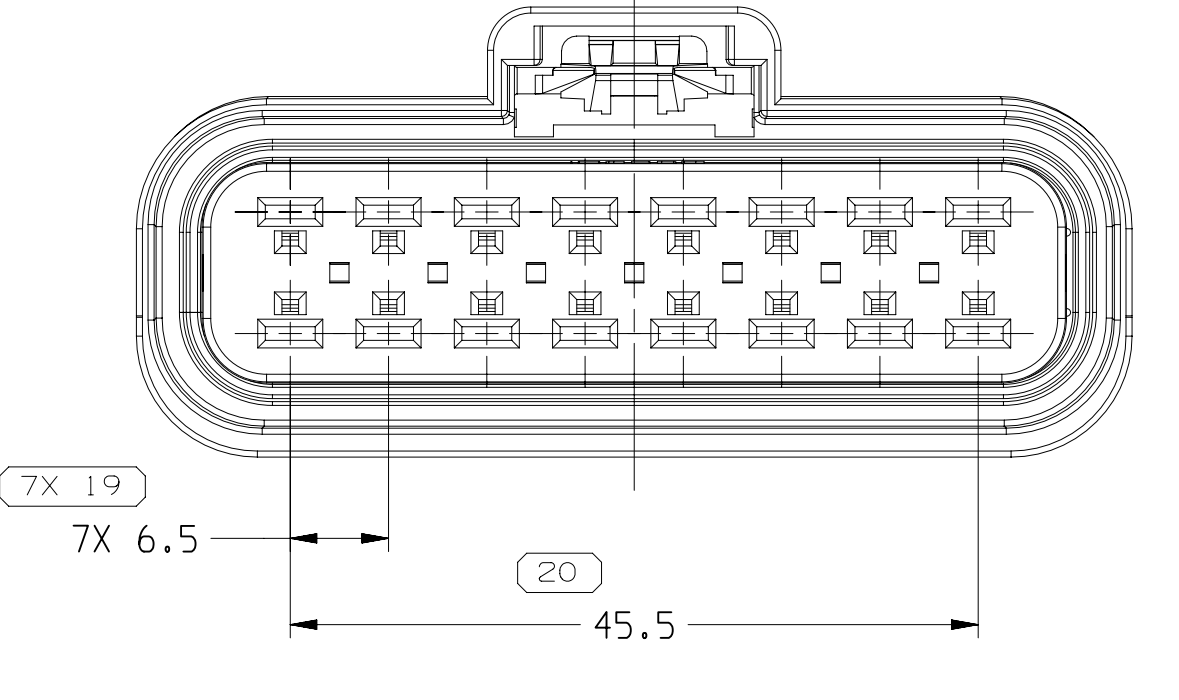
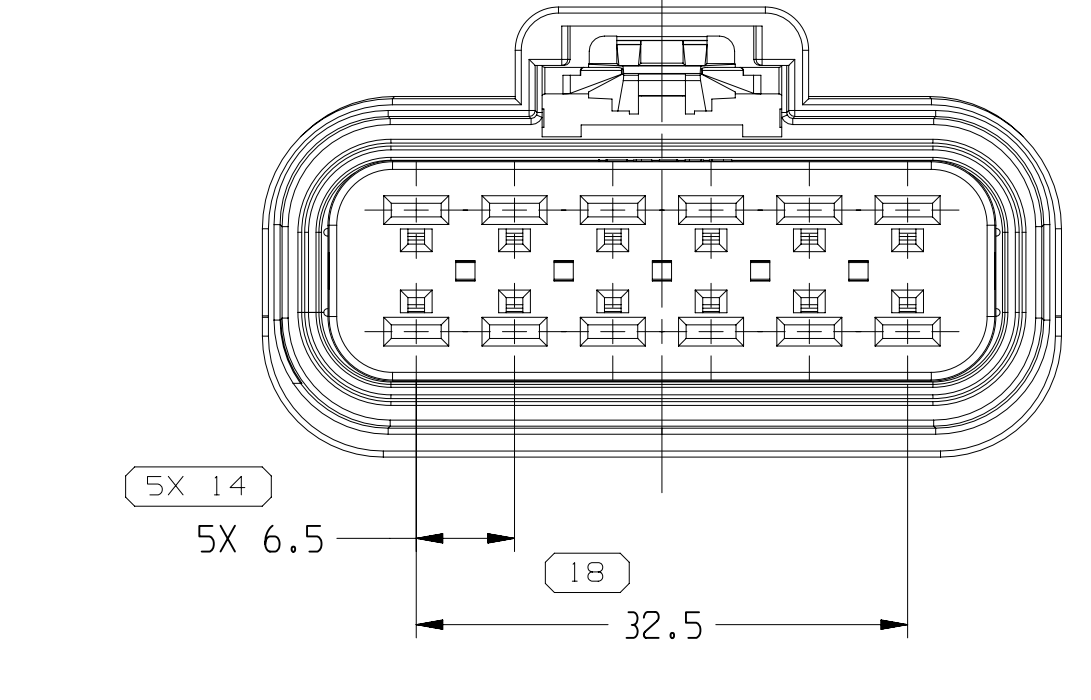
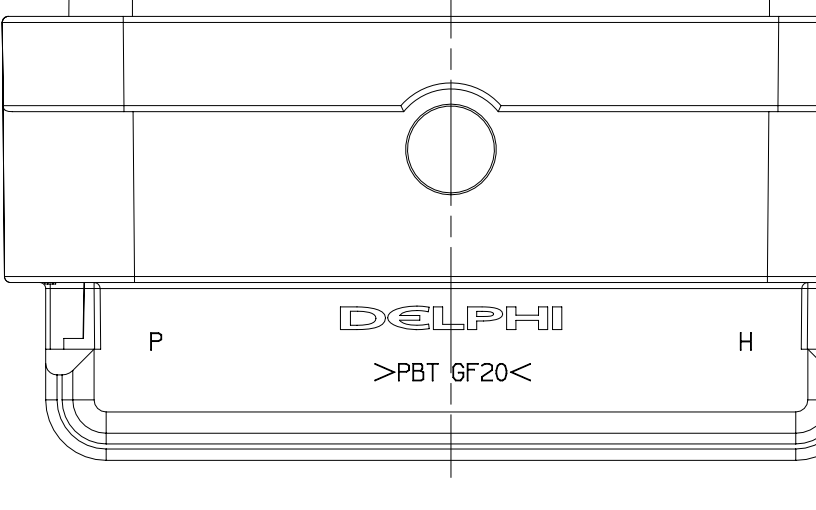
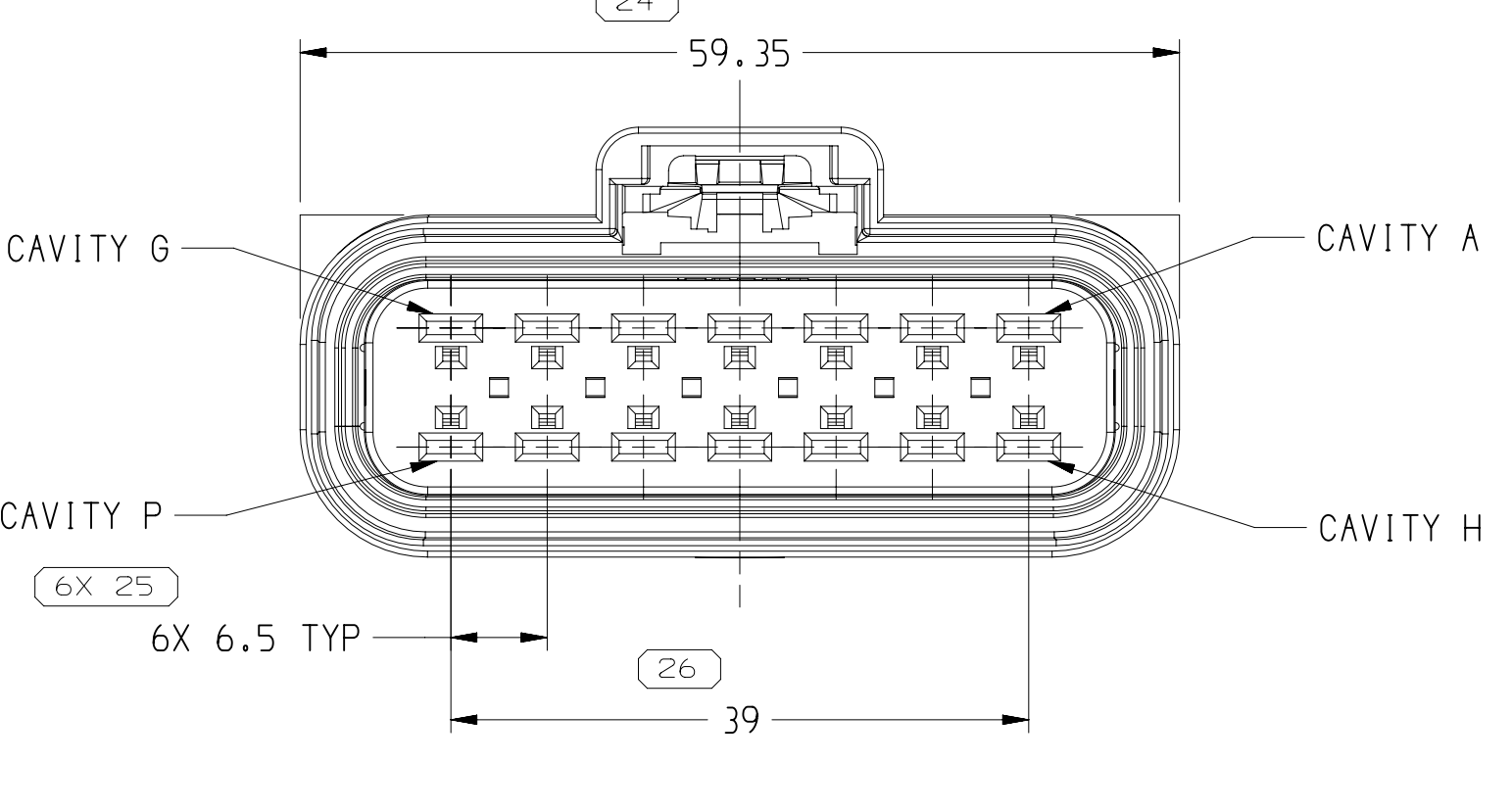


TYPE 108

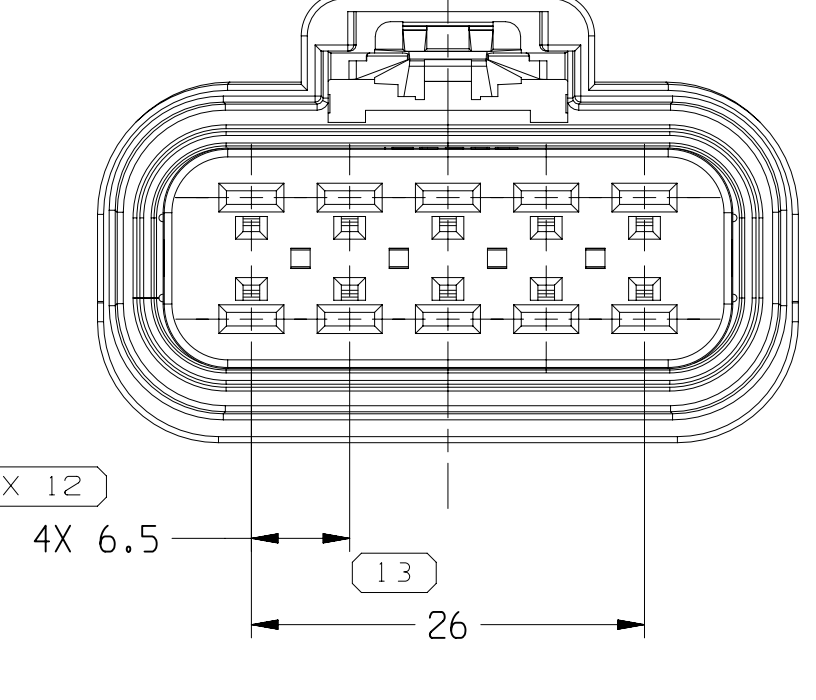
TYPE 214
SAME AS TYPE 114
EXCEPT AS SHOWN



SEE CHART - MATERIAL RECYCLING CODE OPTIONAL



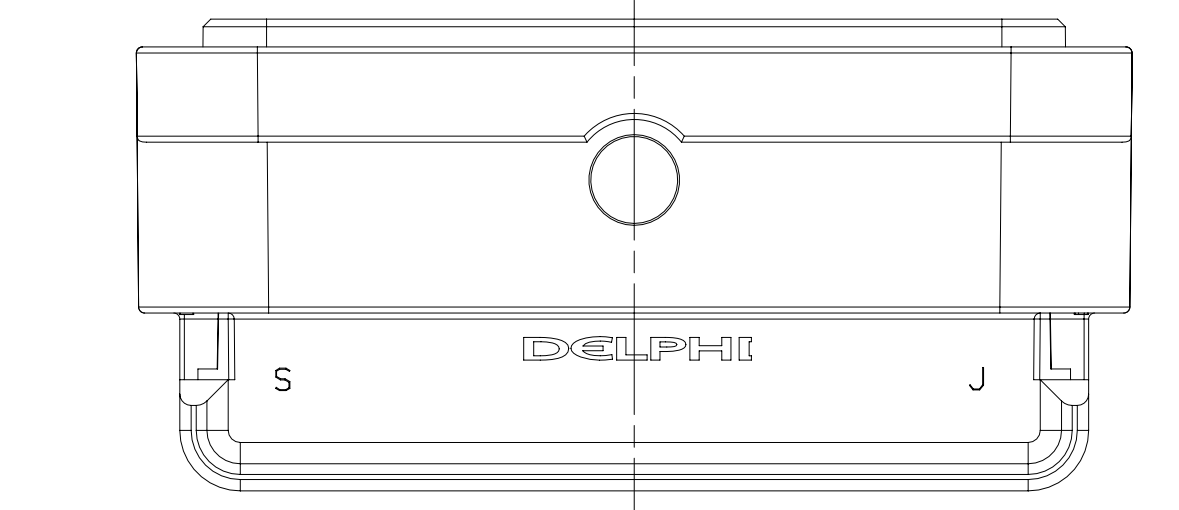
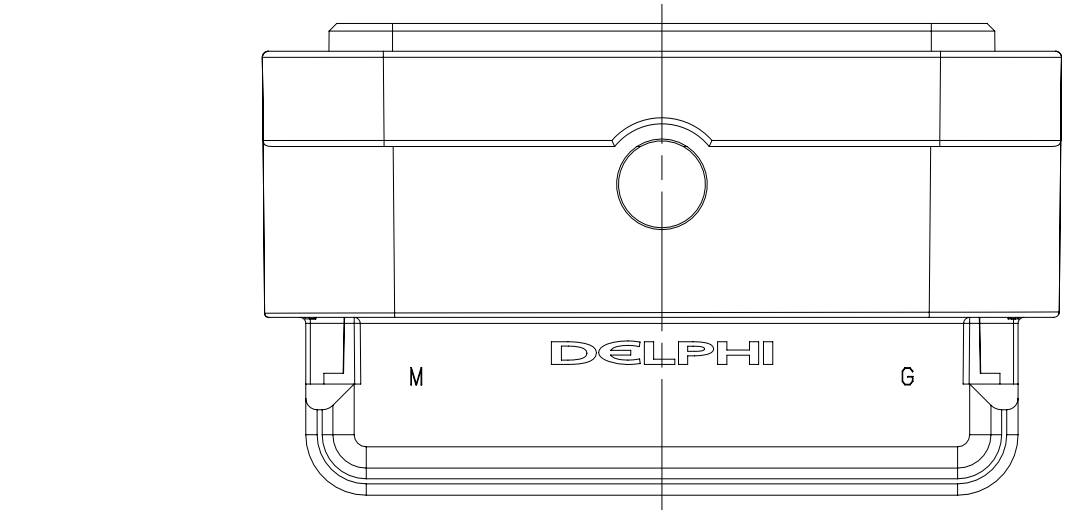
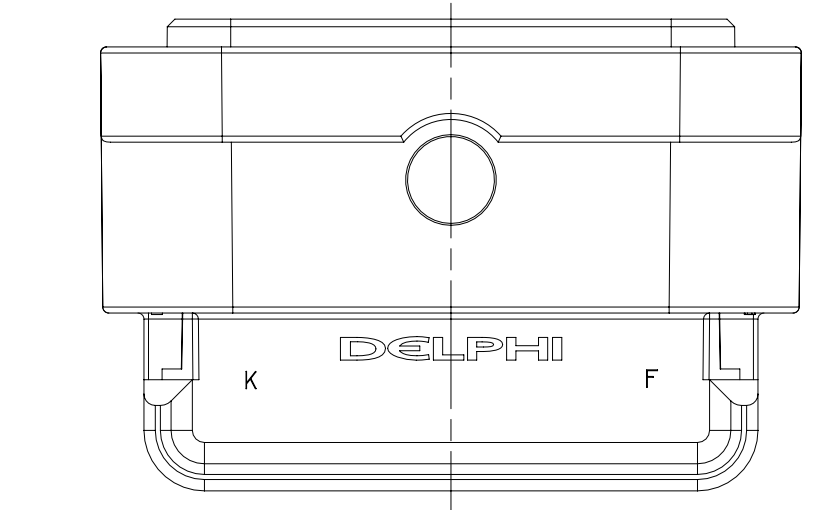
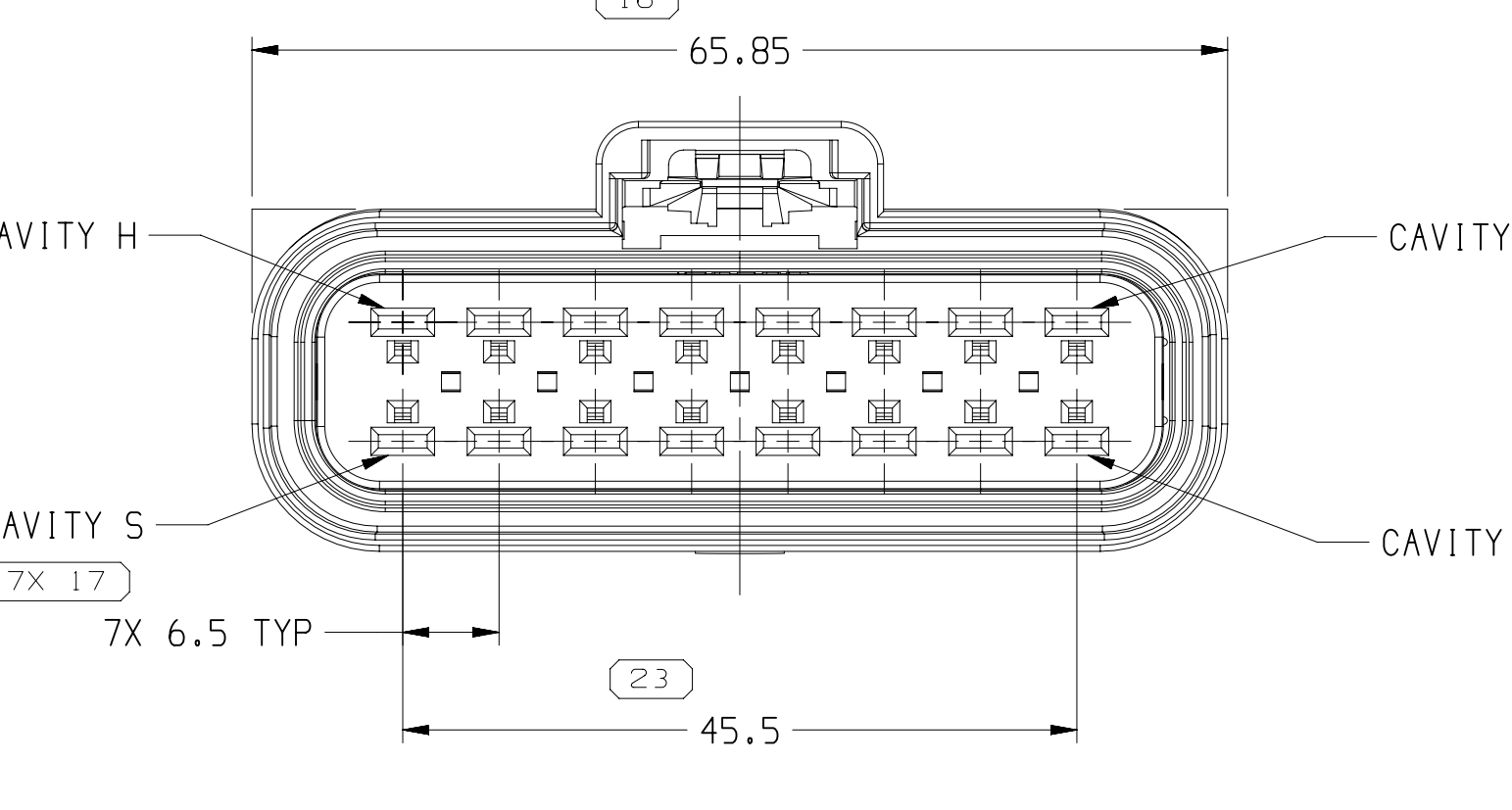
TYPE 114
SAME AS TYPE 108
EXCEPT AS SHOWN



TYPE 210
SAME AS TYPE 214
EXCEPT AS SHOWN

TYPE 212
SAME AS TYPE 214
EXCEPT AS SHOWN

TYPE 216
SAME AS TYPE 214
EXCEPT AS SHOWN



TYPE 116
SAME AS TYPE 108
EXCEPT AS SHOWN

NOTES

- UNLESS OTHERWISE SPECIFIED AND/OR INDICATED:
DIMENSIONS ARE TO FACE OF VIEW SHOWN AND AUTOMATICALLY ROUNDED BY COMPUTER FOR INSPECTION. (SEE MATH MODEL FOR PRECISE DIMENSIONS.) FOR ALL OTHER DIMENSIONS NOT SHOWN BUT REQUIRED FOR TOOL BUILD, SEE MATH MODEL FOR PRECISE TOOL PATH DATA.
- SEALING CODE 4 - DESIGN WILL MEET REQUIREMENTS OF SAE/USCAR-2 CONNECTOR SYSTEM ENVIRONMENTAL TEST FLOWCHART (PRESSURE/VACUUM AND SUBMERSION).
- ASSEMBLIES WITH 12 CAVITIES OR MORE, MATING FORCE WILL EXCEED BON.
- THIS PRODUCT IS NOT CATEGORIZED AS AN APPEARANCE ITEM, MINOR IMPERFECTIONS INCLUDING, BUT NOT LIMITED TO, FLOW MARKS, COLOR BLEMISHES, GATE VESTIGE, AND SOFT FLASH THAT DO NOT AFFECT THE FIT, FORM, OR FUNCTION OF THE PART ARE PERMISSIBLE PER EANP_4-3_CS_01-EN.
- FOR APPLICATION DATA SEE THE INDIVIDUAL APPLICATION DRAWINGS.

DIMENSIONAL RANGE (MM)	TOLERANCE	CHART	ET
FROM > 0	> 20	> 30	> 70
> 20	> 30	> 70	> 100
> 30	> 70	> 100	> 150
> 70	> 100	> 150	> 200
> 100	> 150	> 200	> 250
> 150	> 200	> 250	> 300
> 200	> 250	> 300	> 400
TOLERANCE UNLESS OTHERWISE SPECIFIED			
< 10	+0.15	+0.2	+0.3
10 - 30	+0.2	+0.3	+0.4
30 - 100	+0.3	+0.4	+0.5
100 - 200	+0.4	+0.5	+0.6
200 - 300	+0.5	+0.6	+0.8
300 - 400	+0.6	+0.8	+1.0
ANGULAR TOLERANCE: ±2°			

DWG TYPE	PART DRAWING
STYLE	
VOLUME (CM)	DISTR CODE
	D
UNLESS OTHERWISE SPECIFIED	
THIS DOCUMENT IS IN ACCORDANCE WITH ASME Y14.5M-1994 AS MODIFIED BY THE 2003 GLOBAL DIMENSIONING AND TOLERANCING ADDENDUM-2003. SEPARATE PATTERNING OF FEATURES MAY BE MADE SEPARATELY REGARDLESS OF DATUM REFERENCES.	
ALL DIMENSIONS ARE IN MILLIMETERS	
REFERENCE	
THIRD ANGLE PROJECTION	DO NOT SCALE
USE MATH DATA	

APTIV
CONNECTION SYSTEMS
WARREN, OH
COPYRIGHT 1997 APTIV, ALL RIGHTS RESERVED.
THIS DRAWING IS THE PROPERTY OF APTIV AND CONTAINS APTIV CONFIDENTIAL INFORMATION. THE REPRODUCTION, DISTRIBUTION AND UTILIZATION OF THIS DOCUMENT OR ITS RELATED CAD DATA, AS WELL AS COMMUNICATION OF ANY CONTENT TO OTHERS, WITHOUT EXPRESS AUTHORIZATION, IS PROHIBITED.

DR	B. NAGY	08MR97
APVD1	M. MCCALL	09JL97
APVD2	M. MCCALL	09JL97
APVD3	S.A. NORLING	03OC97
APVD4		
APVD5		

MATERIAL: SEE DRAWING
SUBSTANCES OF CONCERN AND RECYCLED CONTENT PER APTIV 10949001

DRAWING NAME: TAXI ASM CONN F GT 280 SLD
DRAWING NUMBER: 15326672

SIZE: A0
SCALE: 2:1
FRAME NO: 1 OF 1
SHEET NO: 1 OF 2
STG: R
REV: 12

PART NO	ITEM ID	REV	N/P	RECOMMENDED USAGE	TYPE	CONN	MATERIAL RECYCLING CODE	COLOR	PLR	CONN SEAL	CAVITIES
13672062	-	01	AA	-	212	13672061	POLYESTER COMPOUND	BLACK	15326912 / ID406337	15326913 / ID406338	12
13658980	-	01	AA	-	216	13658979	POLYESTER COMPOUND	BLACK	15326664 / ID406352	15326665 / ID406353	16
13672060	-	01	AA	-	210	13672059	POLYESTER COMPOUND	BLACK	15326658 / ID406330	15326659 / ID406332	10
13540547	-	01	AD	-	214	13540546	POLYESTER COMPOUND	BLACK	15326919 / ID406343	15326920 / ID406344	14
13538370	-	01	AC	-	208	13534968	POLYESTER COMPOUND	BLACK	15326652 / ID406319	15326653 / ID406320	8
15326917	ID406341	02	AF	DO NOT PROLIFERATE REPLACED BY 13540547	114	15326916 / ID406345	POLYAMIDE COMPOUND	BLACK	15326919 / ID406343	15326920 / ID406344	14
15326910	ID406335	02	AF	-	112	15326909 / ID406339	POLYAMIDE COMPOUND	BLACK	15326912 / ID406337	15326913 / ID406338	12
15326666	ID406349	02	AF	-	116	15326662 / ID406350	POLYAMIDE COMPOUND	BLACK	15326664 / ID406352	15326665 / ID406353	16
15326660	ID406334	02	AF	-	110	15326656 / ID406328	POLYAMIDE COMPOUND	BLACK	15326658 / ID406330	15326659 / ID406332	10
15326654	ID406322	02	AG	DO NOT PROLIFERATE REPLACED BY 13538370	108	15326650 / ID406317	POLYAMIDE COMPOUND	BLACK	15326652 / ID406319	15326653 / ID406320	8