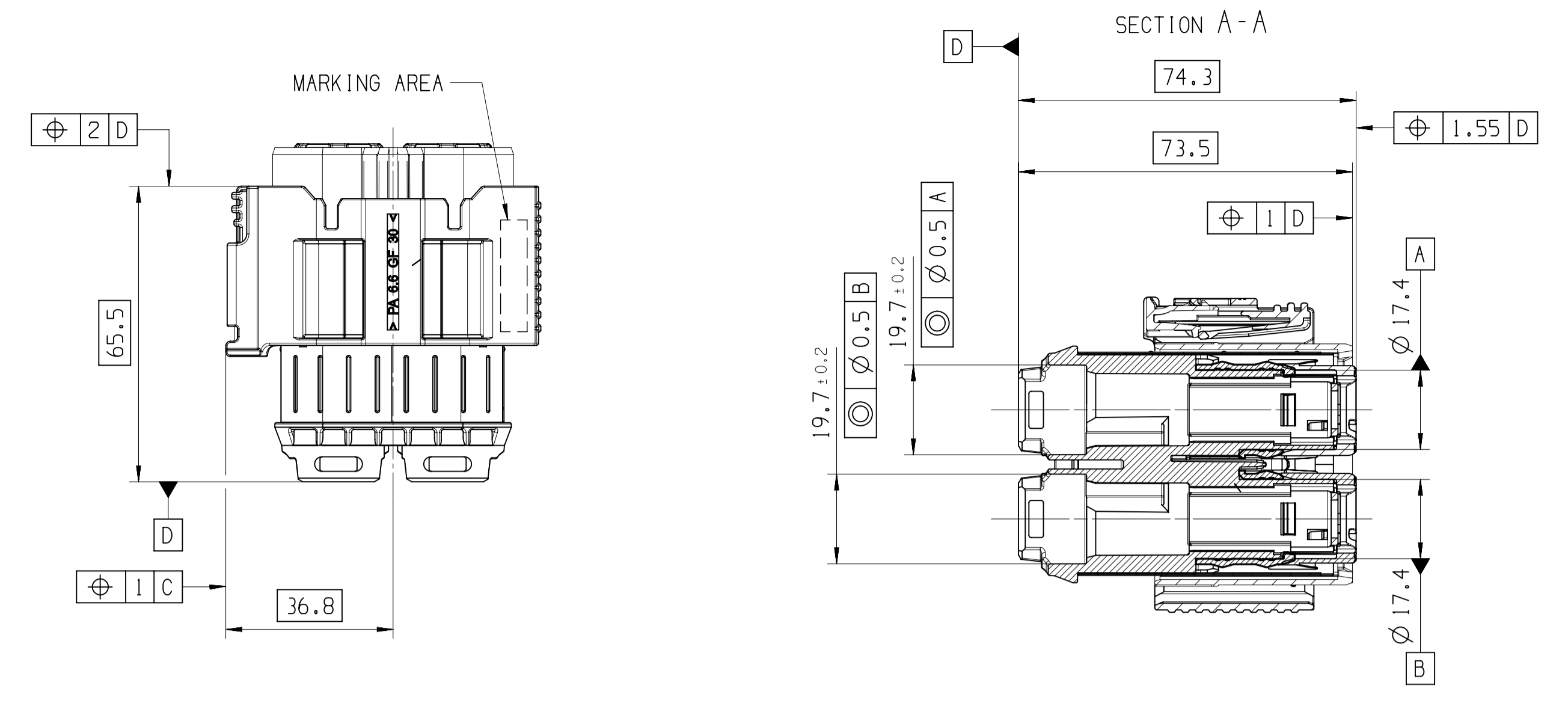
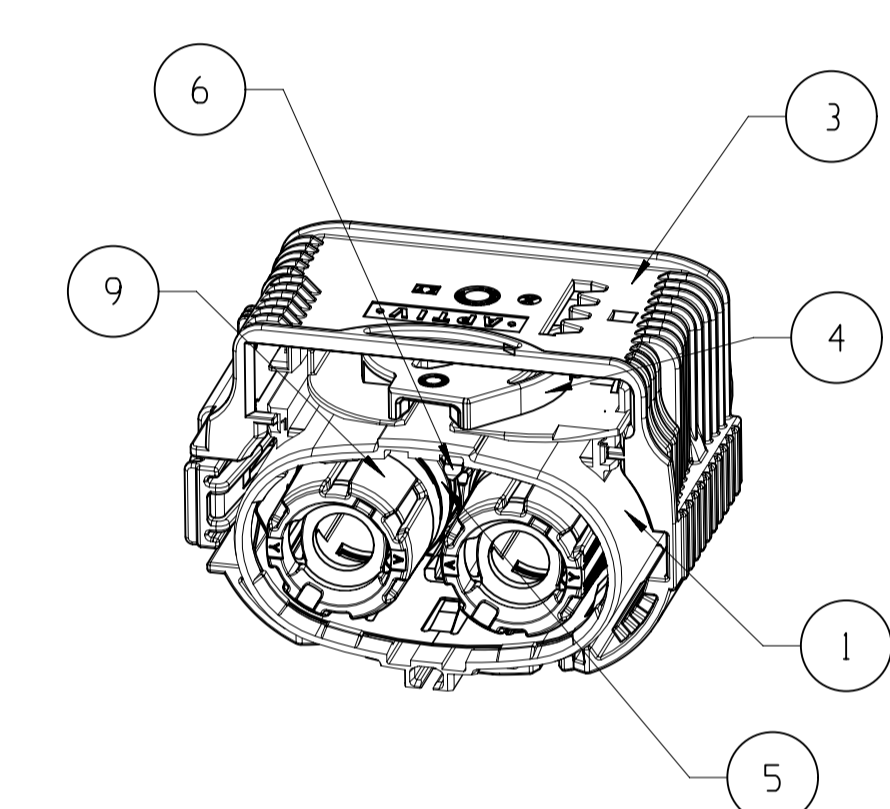
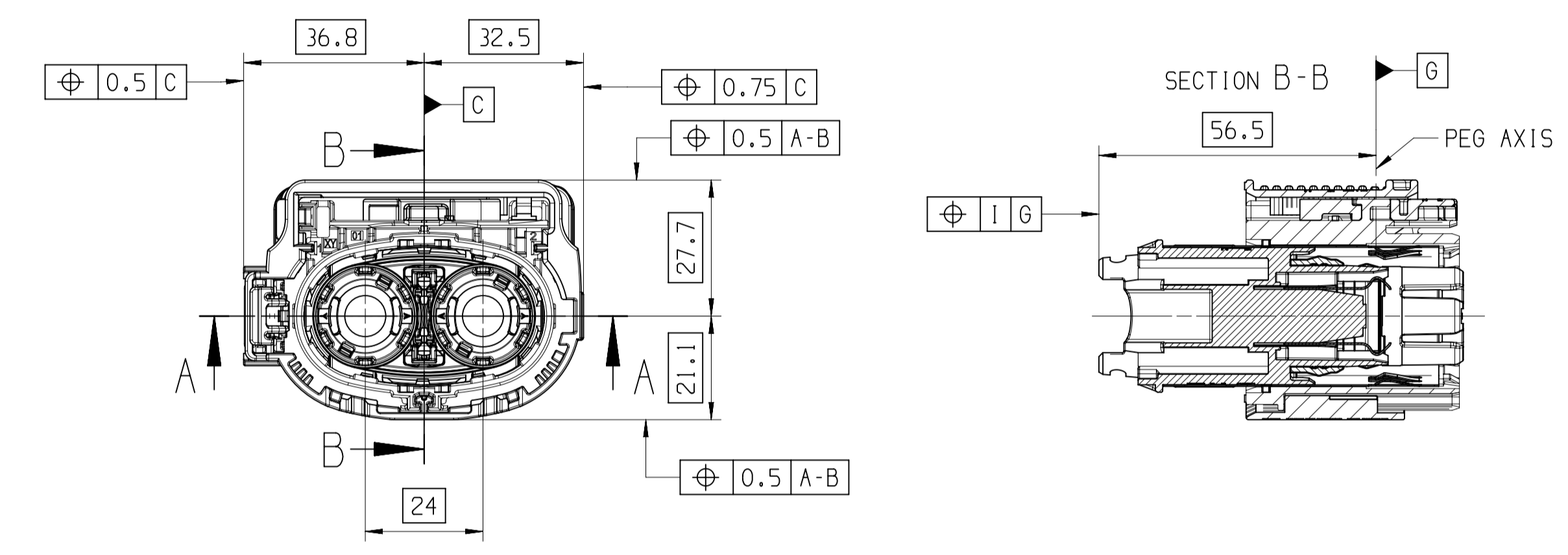


ZONE	DWG STATUS		REVISION HISTORY	DATE	NAME	CHECK	STCHK
	REV	N/P					
--	01	--	INITIAL RELEASE	28AU19	M.RAM	R.PRA	M.PAS

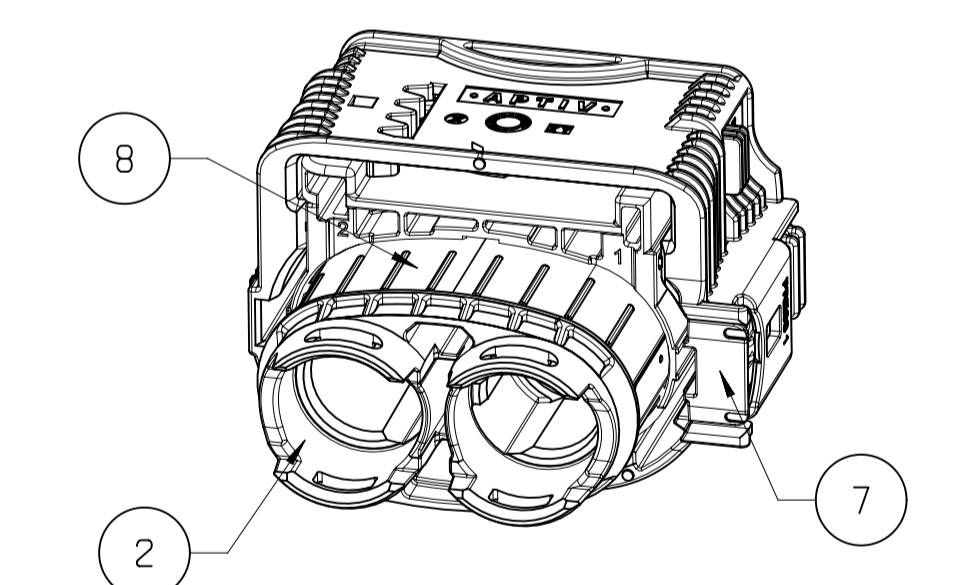
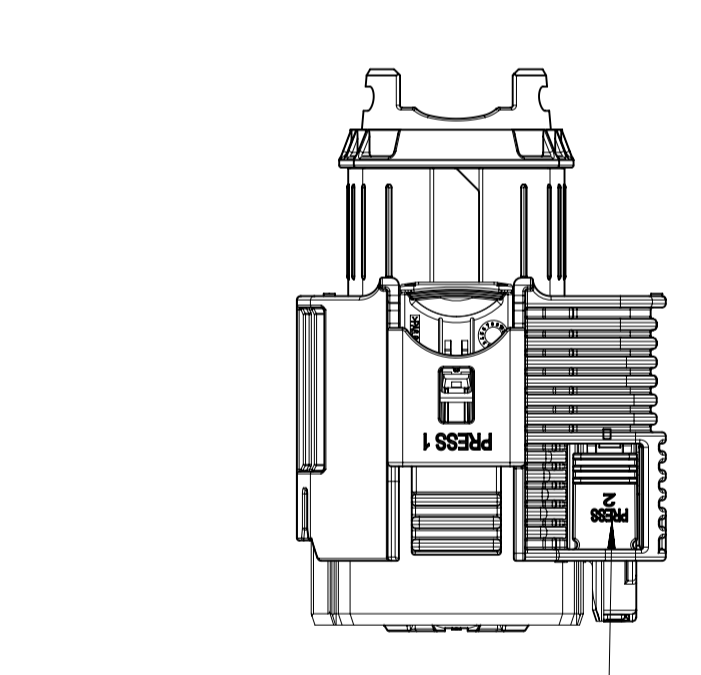
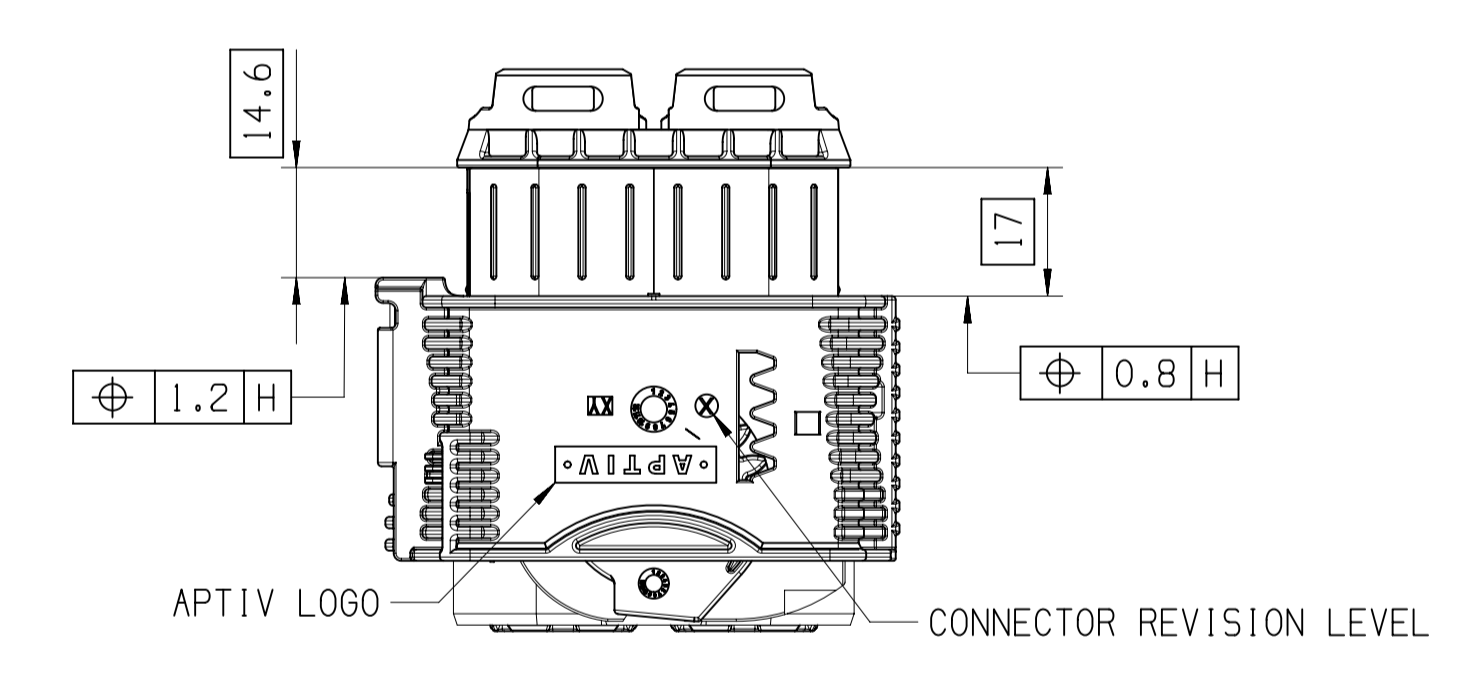


ASSOCIATED PARTS (FOR INFORMATION)					
	APTIV PN	WIRE SECTION	EXTERNAL WIRE DIAMETER	JUF SWS	
				APTIV PN	COLOR
SILVER RCS800 FEMALE TERMINAL	13893887	35 ²	10 MIN - 11 MAXI	13893888	BLACK
		50 ²	11.9 MIN - 12.9 MAXI	13923559	GREY
		50 ²	12.3 MIN-13.4 MAX	35087497	RED
SWS RETAINER	13893889				
2W RCS800 V2 CODE 1 HEADER	33511764				



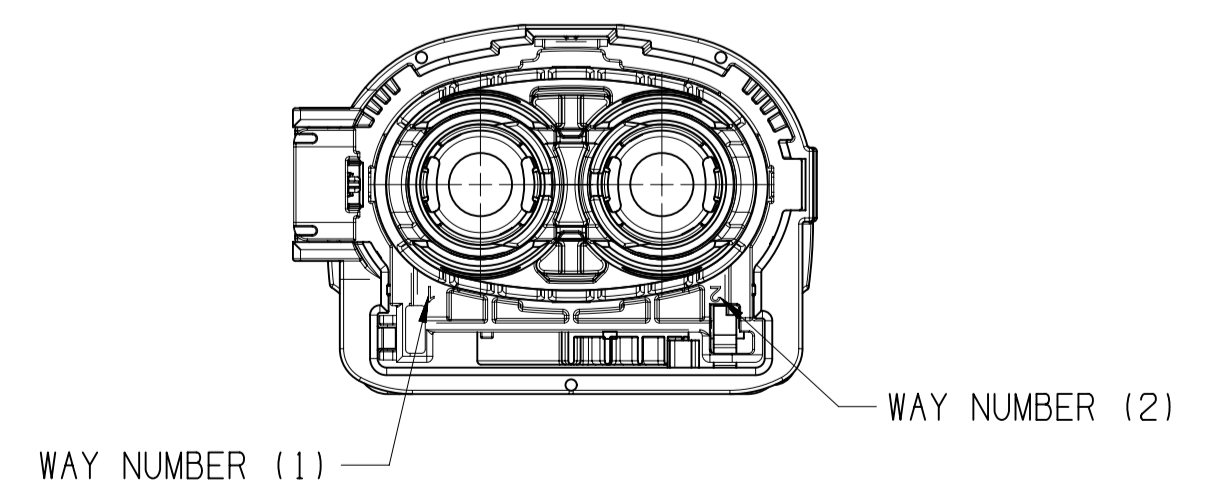
THE REFERENCE C IS DEFINED IN THE MIDDLE OF THE SEGMENT (A-B) NORMAL TO THE REFERENCE (A-B)

COMPONENTS TABLE OF THE PRODUCT				
	TITLE	COLOR	MATERIAL	QUANTITY
1	OUTER HOUSING	ORANGE	PBT GF 15	1
2	INNER HOUSING	ORANGE	PBT GF 15	1
3	SLIDER DEVICE	SEE TABLE	PA6.6 GF 30	1
4	GEAR CAM	BLACK	PA6.6 GF 30	1
5	INTERFACIAL SEAL	GREY	LSR SILICON	1
6	SHORTING BAR	-	STAINLESS STEEL	1
7	CPA	BLUE	PA6.6 GF 30	1
8	SHIELD PLUG	-	COPPER ALLOY	2
9	PROTECTIVE CAP	BLACK	PA6.6 GF 30	2



APTIV PN	35321179
MECHANICAL KEY = SLIDER COLOR	KEY 1 (BLACK)
IMDS ID	TBD

FOLLOWING FRONT VIEW
±0.25 ; ±2°



- NOTES:
- APTIV SPECIFICATION FE PS 10 008
 - TEMPERATURE CLASS OF THE CONNECTOR : CLASS 3 (-40° C +125° C) ;
 - VIBRATION CLASS:
 - PRECONDITIONNING
 - VIBRATION 3x 16H (COMBINED WITH TEMPERATURE (-40° C +125° C) ;
 - SEALING CLASS:
 - 1000mb INITIAL
 - 500mb AFTER TEST ENVIRONNEMENT
 - MATING FORCE : F<BON
 - ASSEMBLY MANUAL : PU272
 - MASS OF THE PRODUCT : 0,097 kg ±10%
 - HEADER / INTERFACE DRAWING: PCC0732944

DIM TO CHECK	COTES A VERIFIER	DIMENSIONAL RANGE (MM)									
		COTE NOMINAL (MM)									
DIM FOR HELP COTES POUR INFO	DIM THEORETIC DIM COTES THEORIQUES	FROM	0	>20	>30	>70	>100	>150	>200	>250	>300
		TO	20	30	70	100	150	200	250	300	400
TOLERANCE UNLESS OTHERWISE SPECIFIED		TOLERANCES GENERALES									
		±0.15 ±0.2 ±0.3 ±0.4 ±0.5 ±0.6 ±0.8 ±1.0 ±1.2									
ANGULAR TOLERANCE ± 2°		TOLERANCE ANGLE ± 2°									

THIS DRAWING IS THE PROPERTY OF APTIV CORPORATION AND CONTAINS APTIV CONFIDENTIAL INFORMATION. THE REPRODUCTION, DISTRIBUTION AND UTILIZATION OF THIS DOCUMENT OR ITS RELATED CAD MATH DATA, AS WELL AS COMMUNICATION OF ANY CONTENT TO OTHERS, WITHOUT EXPRESS AUTHORIZATION, IS PROHIBITED.

APTIV
CONNECTION SYSTEMS

DRAWN BY: M.RAM 28AU19
CHECKED BY: R.PRA 28AU19
STANDARD CW: M.PAS 28AU19

MATERIAL: --

TITLE/DESCRIPTION: 2W POWER RCS PLUG V2

PROJECTION: 35321179 01-01 L 1:1

REPLACEMENT FOR: / ID

FORMAT: A1