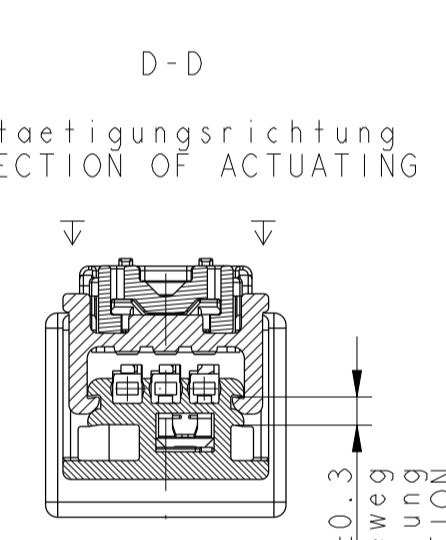
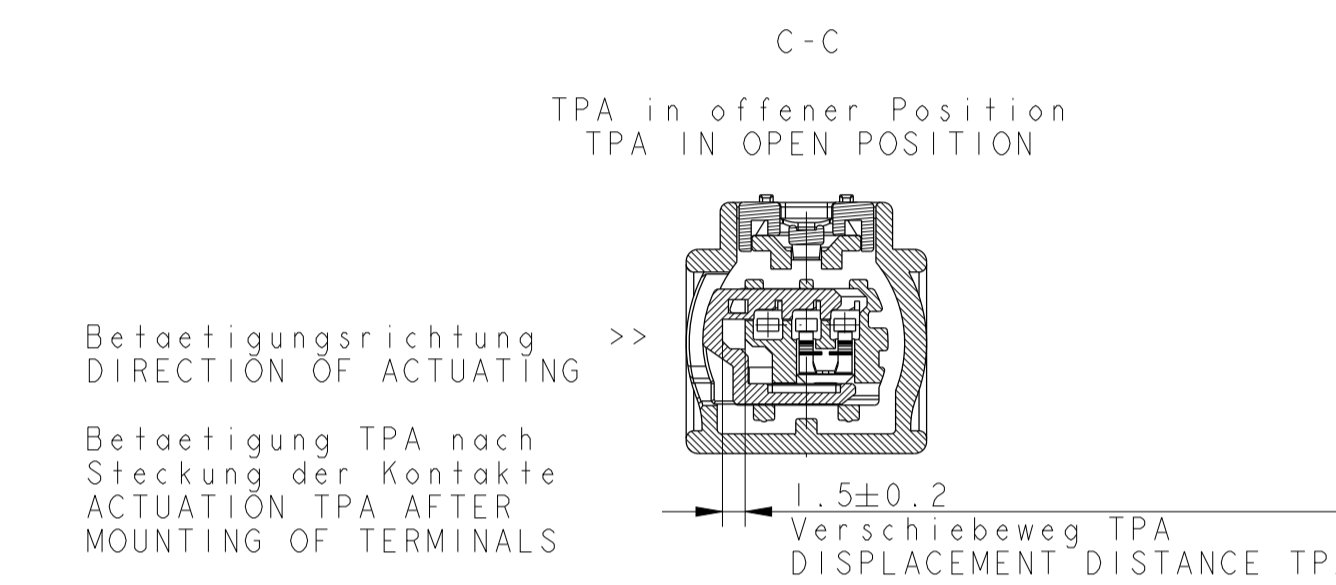
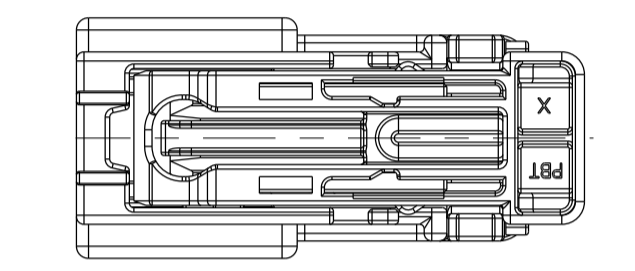
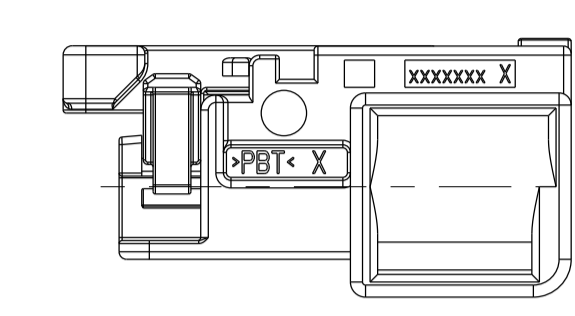
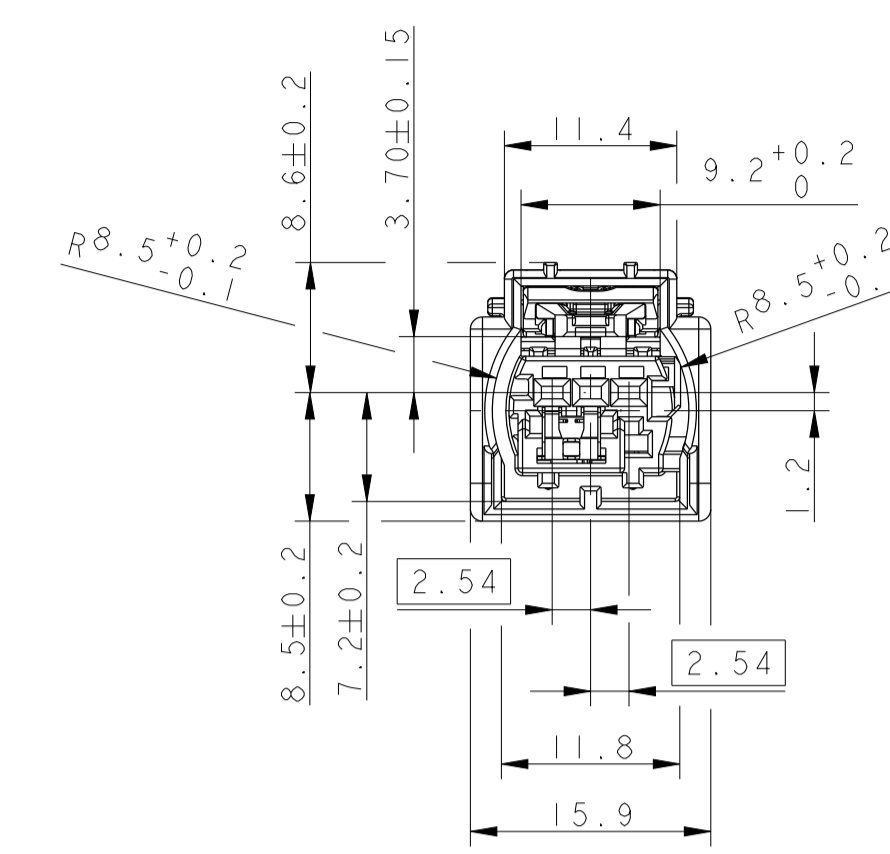
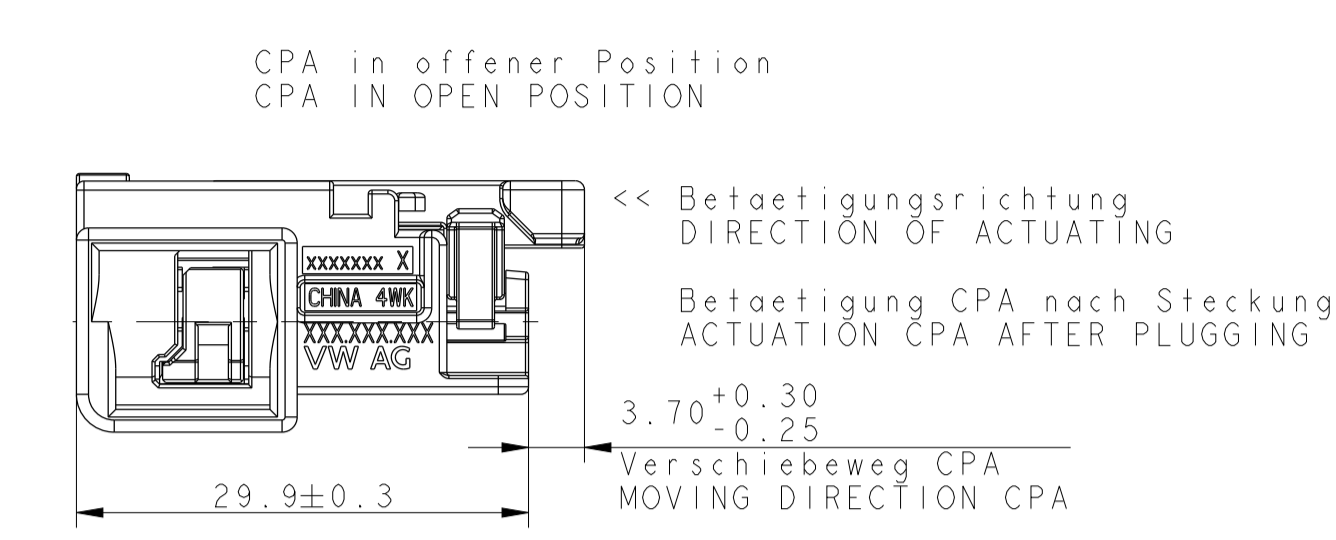
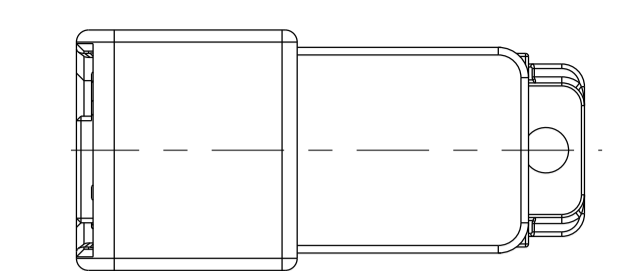
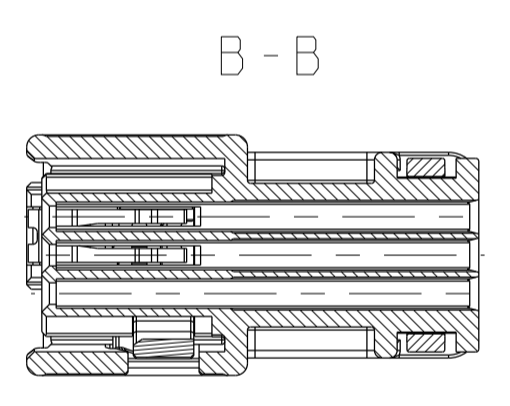
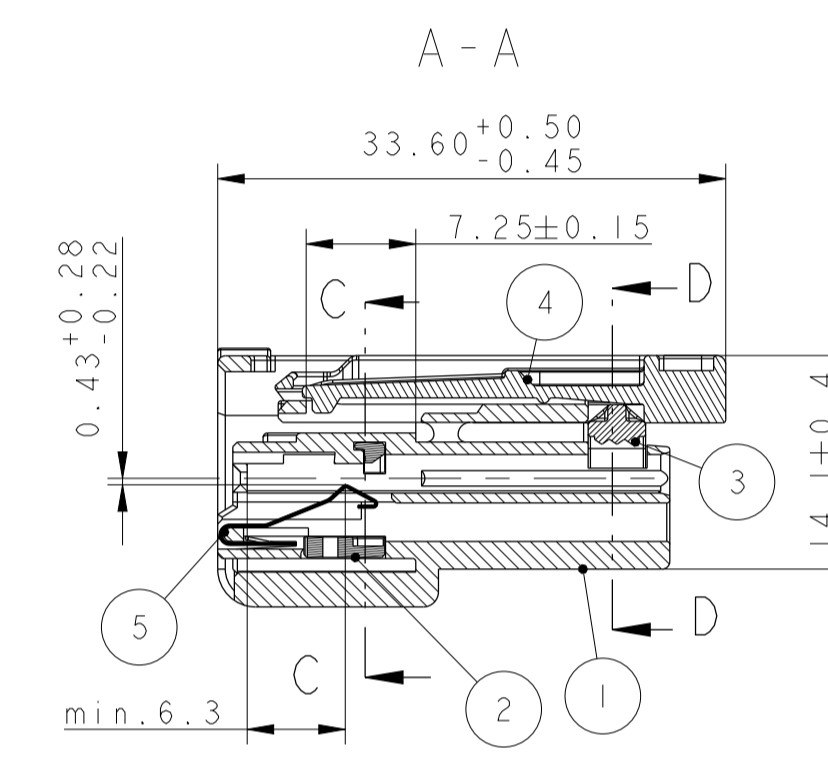
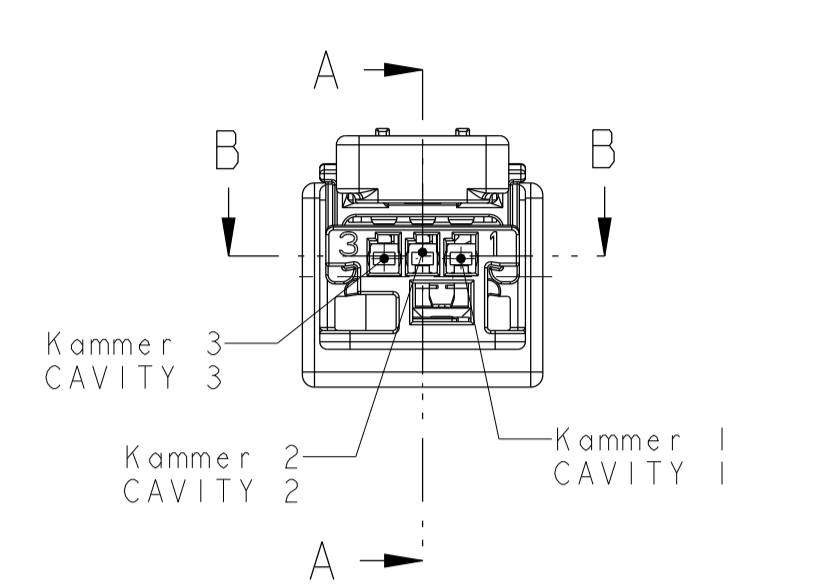


M
L
I
H
G
F
D
C
B
A



Anlieferzustand Konfektionär DELIVERY CONDITION HARNESS MAKER	
vormontiert PREMOUNTED	
Gehäuse mit TPA, CPA und Kabelfixierung HOUSING TPA, CPA AND STRAIN RELIEF	Gehäuse mit TPA, Kurzschlussbrücke, CPA und Kabelfixierung HOUSING TPA, CPA SHORT CIRCUIT, CPA AND STRAIN RELIEF
F119410 33402002 F219410 F319410	F317210 F227210 F327210

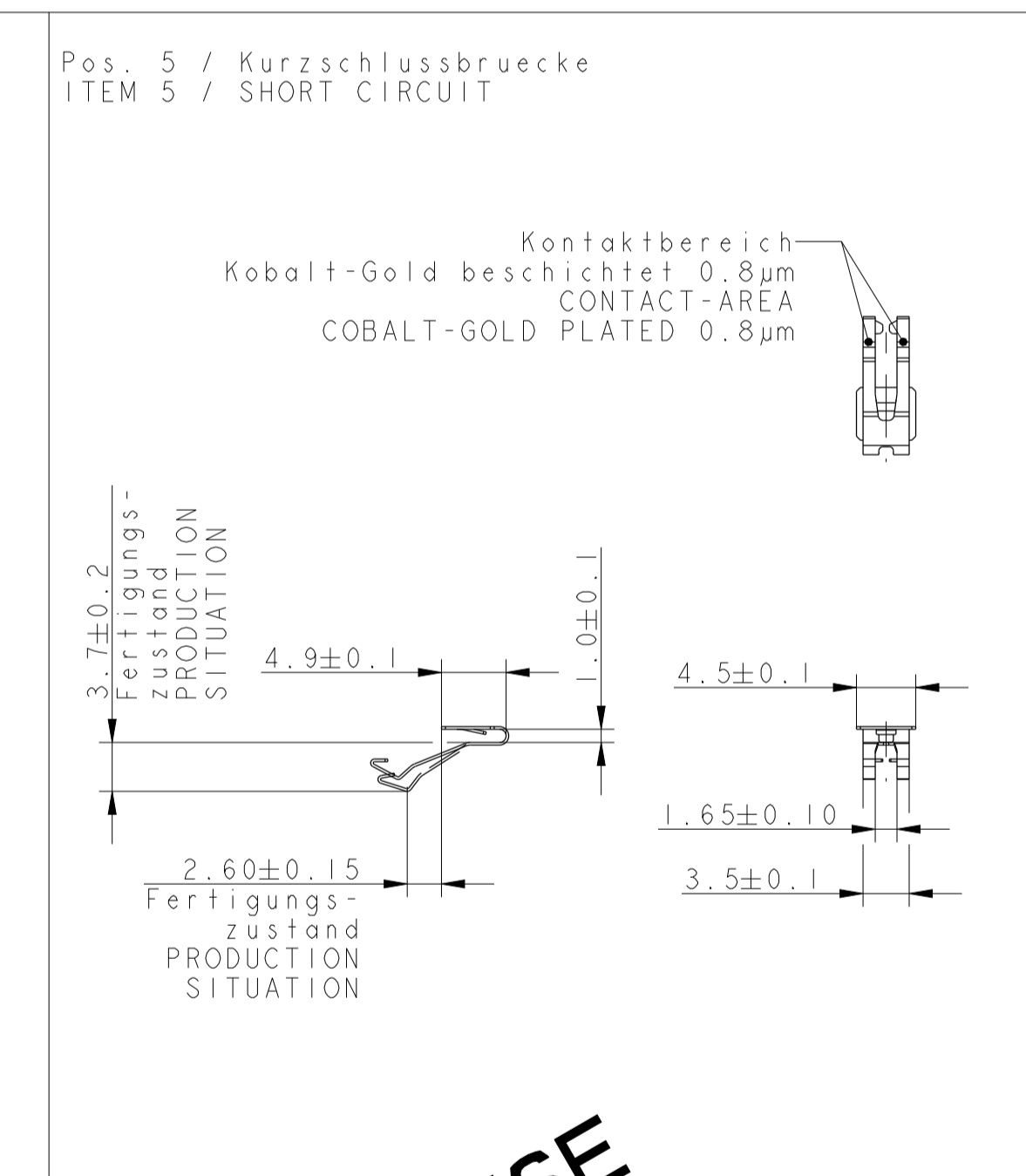
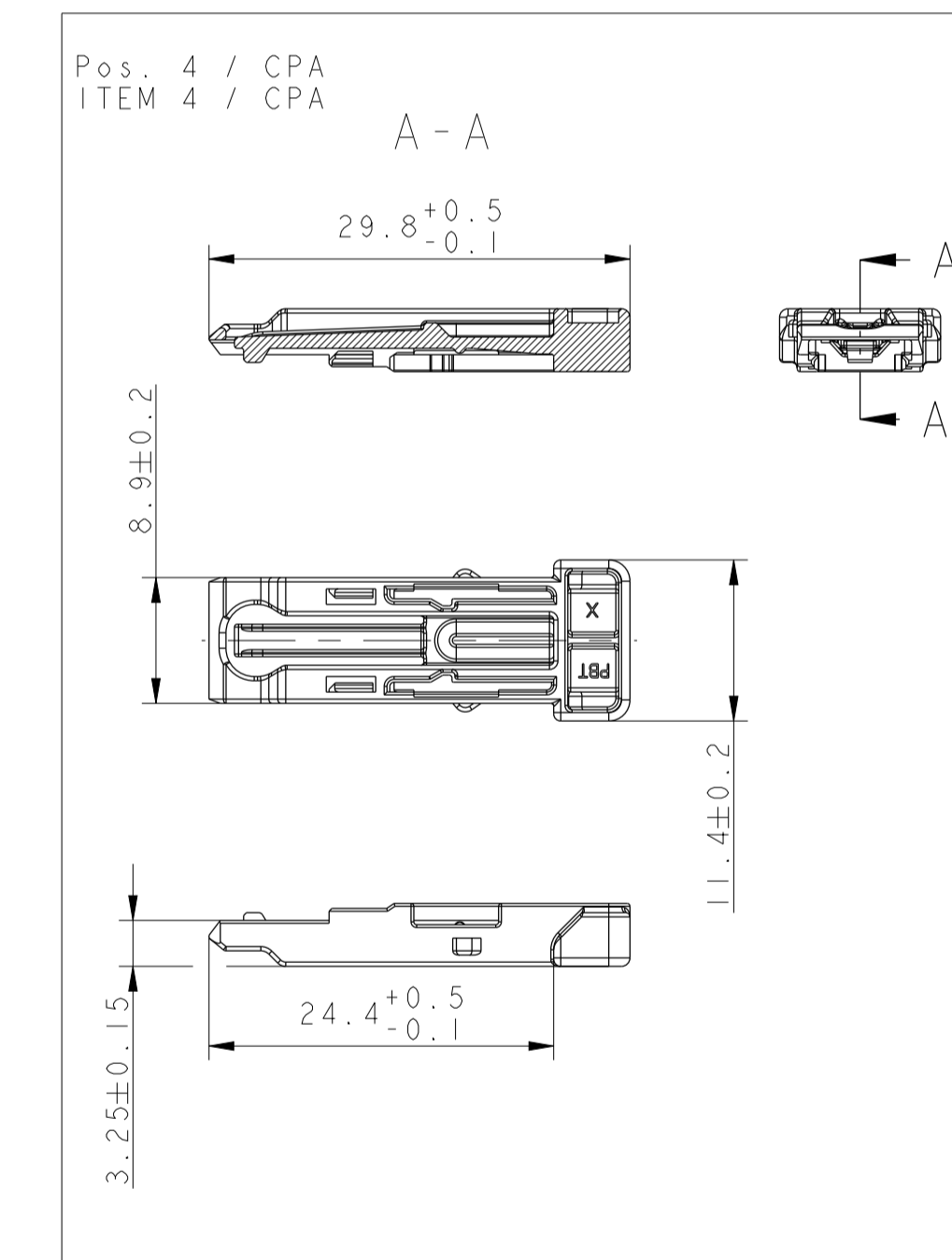
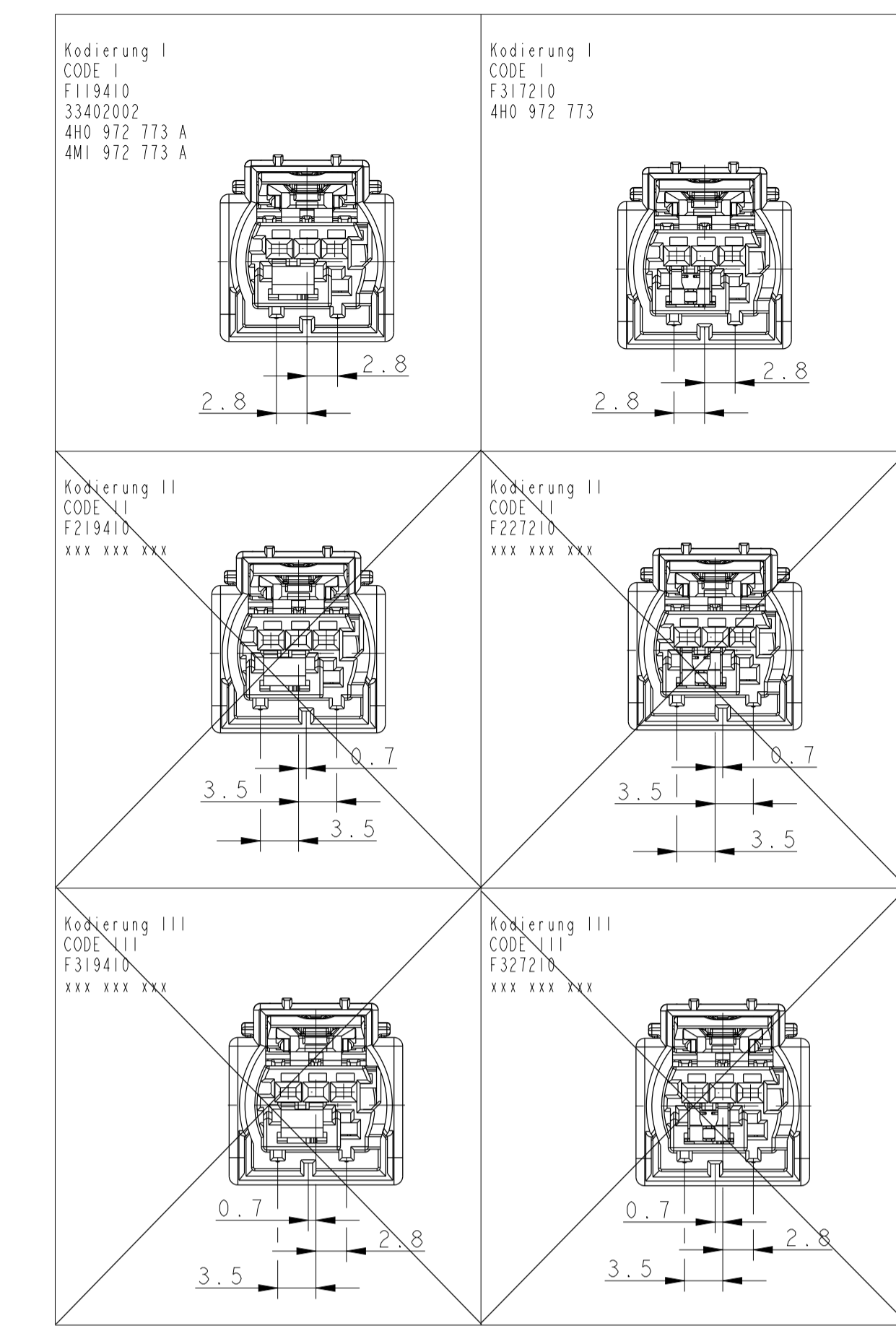
Kammermasse fuer Kammer 1-3
nach Zeichnung 4H0 900 961 (Ausfuehrung A)
CAVITY DIMENSIONS FOR CAVITY 1-3
ACC. TO 4H0 900 961 (DESIGN A)

Zugentlastung nur zulaessig fuer Leitungs-
querschnitte entsprechend der Tabelle
STRAIN RELIEF ONLY PERMISSIBLE FOR
WIRE CROSS SECTIONS ACC. TO TABLE

Passend fuer Flachsteckergehaeuse nach Zeichnung PCI0771078
FITS TO PIN HOUSING ACC. DRAWING PCI0771078

Baugruppe mit Kurzschlussbrücke / ASSEMBLY WITH SHORTING BAR												
Pos.	Bezeichnung	MVL Teil Nr.	MVL Teil Index	Werkstoff	Farbe	ähnlich RAL	Anzahl	Pod.	MVL Baugruppe Nr.	MVL Baugruppe Index	Baugruppe Nr. Kunde	
	NAME	MVL PART NO.	MVL PART REV.	MATERIAL	COLOUR	SIMILAR RAL	QUANTITY	CODE	MVL ASSEMBLY NO.	MVL ASSEMBLY REV.	ASSEMBLY NO. CUSTOMER	
5	Kurzschlussbrücke	S311200	--	X10 CrNi 18.8	--	--	--	I				
4	CPA	Sxxxxx	--	PBT GF30	orange	2003	I					
3	Zugentlastung	S127210	0005	PBT	violett	4006	I	III	F327210	A	xxx xxx xxx	
2	TPA	S027210	0005	PBT GF30	violett	4006	I					
1	Gehäuse	S817210	0005	PBT	gelb	1018	I					
5	Kurzschlussbrücke	S311200	--	X10 CrNi 18.8	--	--	--	I				
4	CPA	Sxxxxx	--	PBT GF30	orange	2003	I					
3	Zugentlastung	S127210	0005	PBT	violett	4006	I	II	F227210	A	xxx xxx xxx	
2	TPA	S027210	0005	PBT GF30	violett	4006	I					
1	Gehäuse	S717210	0005	PBT	gelb	1018	I					
5	Kurzschlussbrücke	S311200	--	X10 CrNi 18.8	--	--	--	I				
4	CPA	S917210	A	PBT GF30	schwarz	9011	I					
3	Zugentlastung	S127210	0005	PBT	violett	4006	I	I	F317210	A	4H0 972 773	
2	TPA	S027210	0005	PBT GF30	violett	4006	I					
1	Gehäuse	S617210	0005	PBT	gelb	1018	I					

Baugruppe ohne Kurzschlussbrücke / ASSEMBLY WITHOUT SHORTING BAR												
Pos.	Bezeichnung	MVL Teil Nr.	MVL Teil Index	Werkstoff	Farbe	ähnlich RAL	Anzahl	Kod.	MVL Baugruppe Nr.	MVL Baugruppe Index	Delphi Baugruppe Nr.	Delphi Baugruppe Index
	NAME	MVL PART NO.	MVL PART REV.	MATERIAL	COLOUR	SIMILAR RAL	QUANTITY	CODE	MVL ASSEMBLY NO.	MVL ASSEMBLY REV.	DELPHI ASSEMBLY NO.	DELPHI ASSEMBLY REV.
4	CPA	Sxxxxx	--	PBT GF30	orange	2003	I					
3	Zugentlastung	S127210	0005	PBT	violett	4006	I				F319410	A
2	TPA	S027210	0005	PBT GF30	violett	4006	I					
1	Gehäuse	S619410	0005	PBT	gelb	1018	I					
4	CPA	Sxxxxx	--	PBT GF30	orange	2003	I					
3	Zugentlastung	S127210	0005	PBT	violett	4006	I				F219410	A
2	TPA	S027210	0005	PBT GF30	violett	4006	I					
1	Gehäuse	S519410	0005	PBT	gelb	1018	I					
4	CPA	S917210	A	PBT GF30	schwarz	9011	I					
3	Zugentlastung	S127210	0005	PBT	violett	4006	I	I				
2	TPA	S027210	0005	PBT GF30	violett	4006	I				F119410	A
1	Gehäuse	S419410	0005	PBT	gelb	1018	I					



ONLY FOR VW USE

Inhalt der Zeichnung entspricht der
Kundenzeichnung TAB 010 329 EC
CONTENT OF THE DRAWING IS CORRESPONDING
TO CUSTOMER DRAWING TAB 010 329 EC

13-01027	-	INITIAL RELEASE												
ECH-NR. EKN-NUMBER	POSITION POSITION	CHANGE DESCRIPTION ÄNDERUNGSBESCHREIBUNG												
PROJECT SPEC. PROJEKT-SPEZ.	PACKAGING SPEC. VERPACKUNGS-SPEZ.	APPLICATION SPEC. ANWENDUNGS-SPEZ.												
COPYRIGHT DELPHI CORPORATION AND/OR ITS AFFILIATES. ALL RIGHTS RESERVED. REVISED THIS DRAWING IS THE PROPERTY OF DELPHI CORPORATION AND/OR ITS AFFILIATES. NO REPRODUCTION, DISTRIBUTION OR DISSEMINATION OF THIS DOCUMENT OR ITS CONTENTS IN ANY MANNER, BY ANY MEANS, WITHOUT EXPRESS AUTHORIZATION, IS PROHIBITED. REPRODUCTION OF THIS DOCUMENT IN ANY MANNER, BY ANY MEANS, WITHOUT EXPRESS AUTHORIZATION, IS PROHIBITED.														
TOLERANCES TOLERANZEN	±0.1	±2'												
CONTRACT NO. VERTRAGS-NR.	DATE DATUM	NAME NAME												
DO NOT MEASURE DRAWING NICHT MESSEN ZEICHNUNG	DATE DATUM	NAME NAME												
CREATED BY ERSTELLT VON	DATE DATUM	NAME NAME												
APPROVED BY GEPRÜFT VON	DATE DATUM	NAME NAME												
FILE NAME DOK.-NAME	FILE NAME DOK.-NAME	FILE NAME DOK.-NAME												
<table border="1"> <tr> <td>DELPHI</td> <td>DELPHI</td> <td>DELPHI</td> </tr> <tr> <td>DELPHI</td> <td>DELPHI</td> <td>DELPHI</td> </tr> <tr> <td>DELPHI</td> <td>DELPHI</td> <td>DELPHI</td> </tr> <tr> <td>DELPHI</td> <td>DELPHI</td> <td>DELPHI</td> </tr> </table>			DELPHI	DELPHI	DELPHI	DELPHI	DELPHI	DELPHI	DELPHI	DELPHI	DELPHI	DELPHI	DELPHI	DELPHI
DELPHI	DELPHI	DELPHI												
DELPHI	DELPHI	DELPHI												
DELPHI	DELPHI	DELPHI												
DELPHI	DELPHI	DELPHI												
<table border="1"> <tr> <td>3W FEMALE CONNECTOR</td> <td>3W AIRBAG CONNECTOR</td> <td></td> </tr> <tr> <td>3W FEMALE CONNECTOR</td> <td>3W AIRBAG CONNECTOR</td> <td></td> </tr> <tr> <td>3W FEMALE CONNECTOR</td> <td>3W AIRBAG CONNECTOR</td> <td></td> </tr> <tr> <td>3W FEMALE CONNECTOR</td> <td>3W AIRBAG CONNECTOR</td> <td></td> </tr> </table>			3W FEMALE CONNECTOR	3W AIRBAG CONNECTOR		3W FEMALE CONNECTOR	3W AIRBAG CONNECTOR		3W FEMALE CONNECTOR	3W AIRBAG CONNECTOR		3W FEMALE CONNECTOR	3W AIRBAG CONNECTOR	
3W FEMALE CONNECTOR	3W AIRBAG CONNECTOR													
3W FEMALE CONNECTOR	3W AIRBAG CONNECTOR													
3W FEMALE CONNECTOR	3W AIRBAG CONNECTOR													
3W FEMALE CONNECTOR	3W AIRBAG CONNECTOR													
<table border="1"> <tr> <td>3W FEMALE CONNECTOR</td> <td>3W AIRBAG CONNECTOR</td> <td></td> </tr> <tr> <td>3W FEMALE CONNECTOR</td> <td>3W AIRBAG CONNECTOR</td> <td></td> </tr> <tr> <td>3W FEMALE CONNECTOR</td> <td>3W AIRBAG CONNECTOR</td> <td></td> </tr> <tr> <td>3W FEMALE CONNECTOR</td> <td>3W AIRBAG CONNECTOR</td> <td></td> </tr> </table>			3W FEMALE CONNECTOR	3W AIRBAG CONNECTOR		3W FEMALE CONNECTOR	3W AIRBAG CONNECTOR		3W FEMALE CONNECTOR	3W AIRBAG CONNECTOR		3W FEMALE CONNECTOR	3W AIRBAG CONNECTOR	
3W FEMALE CONNECTOR	3W AIRBAG CONNECTOR													
3W FEMALE CONNECTOR	3W AIRBAG CONNECTOR													
3W FEMALE CONNECTOR	3W AIRBAG CONNECTOR													
3W FEMALE CONNECTOR	3W AIRBAG CONNECTOR													