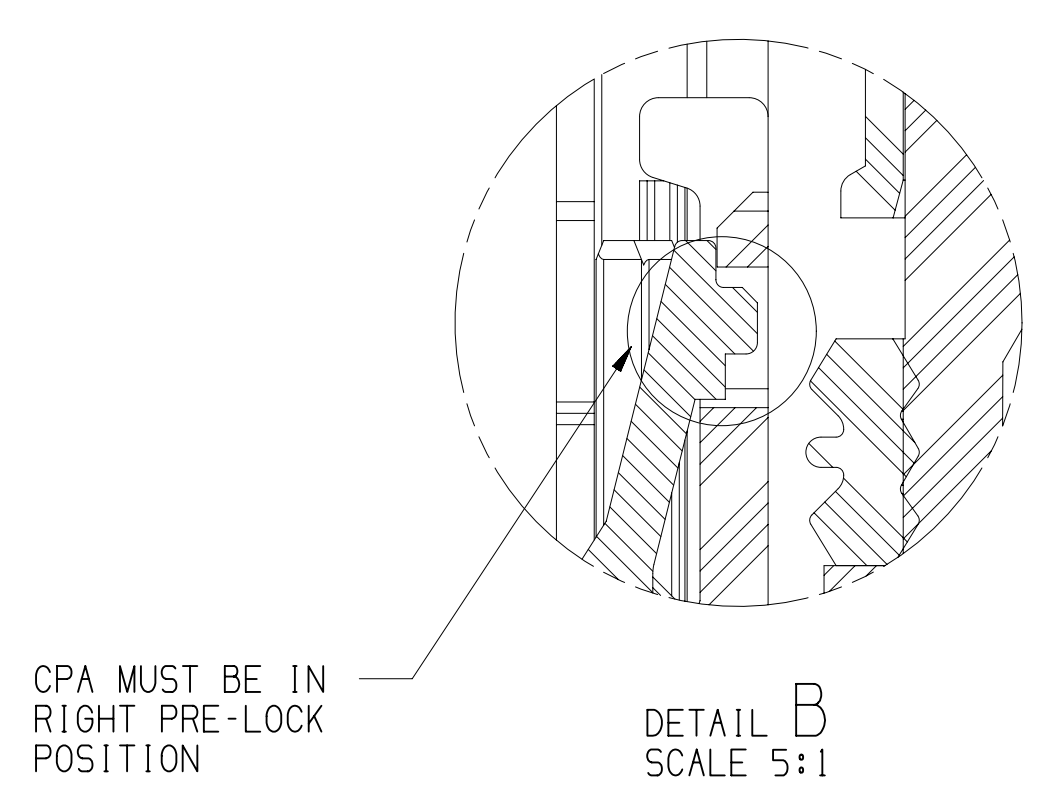
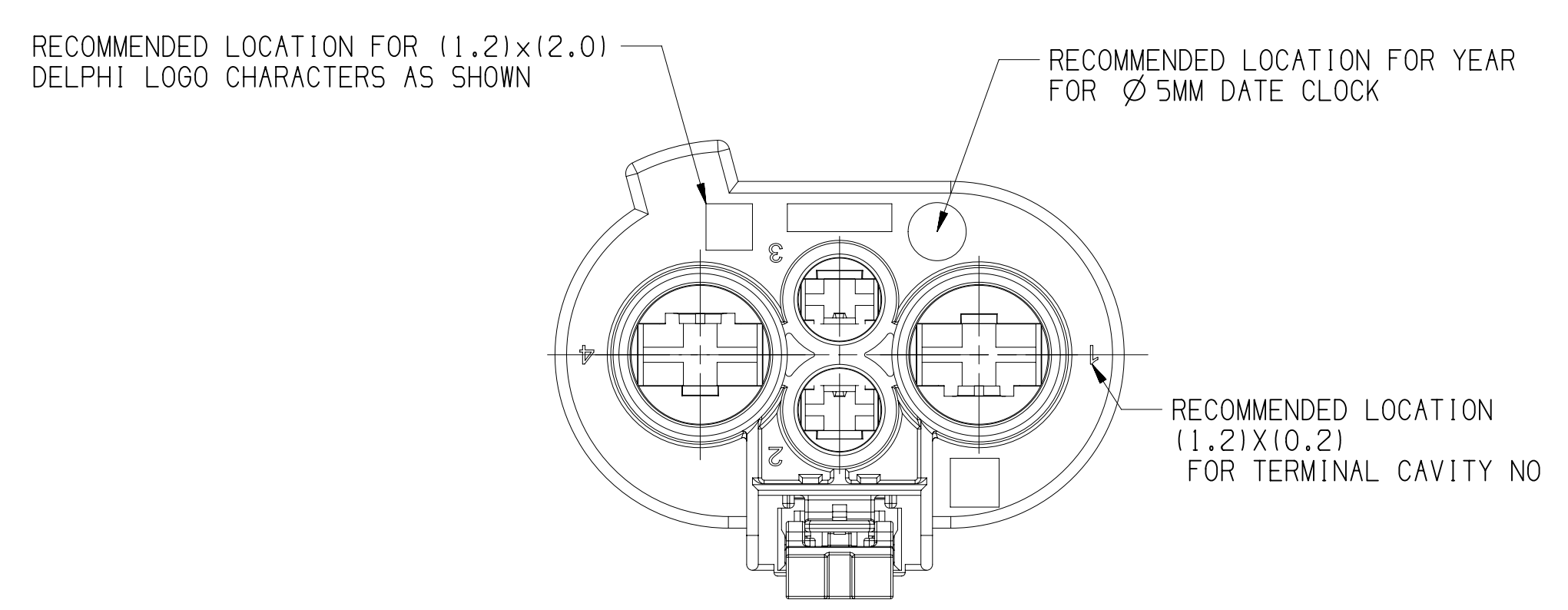
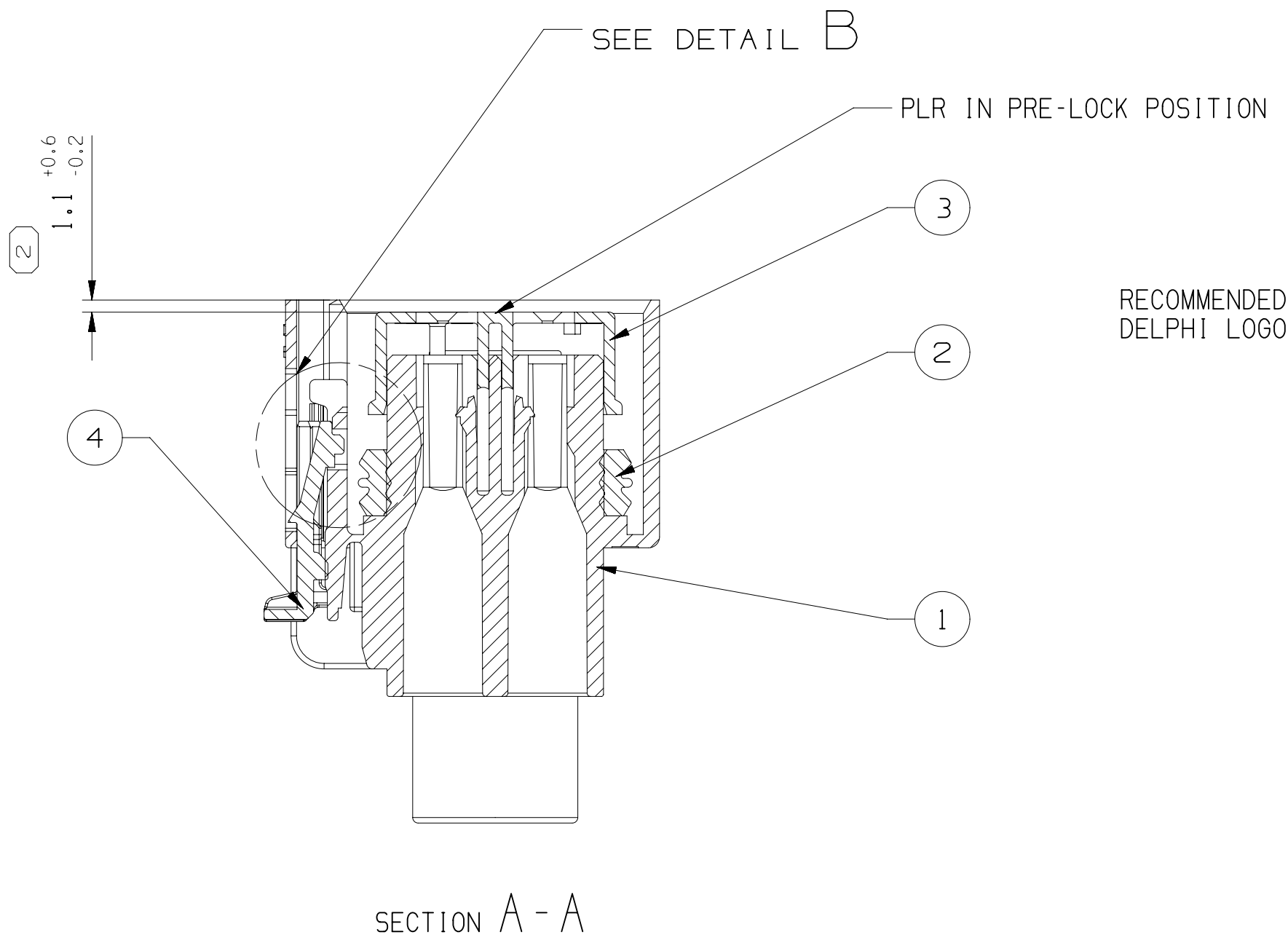
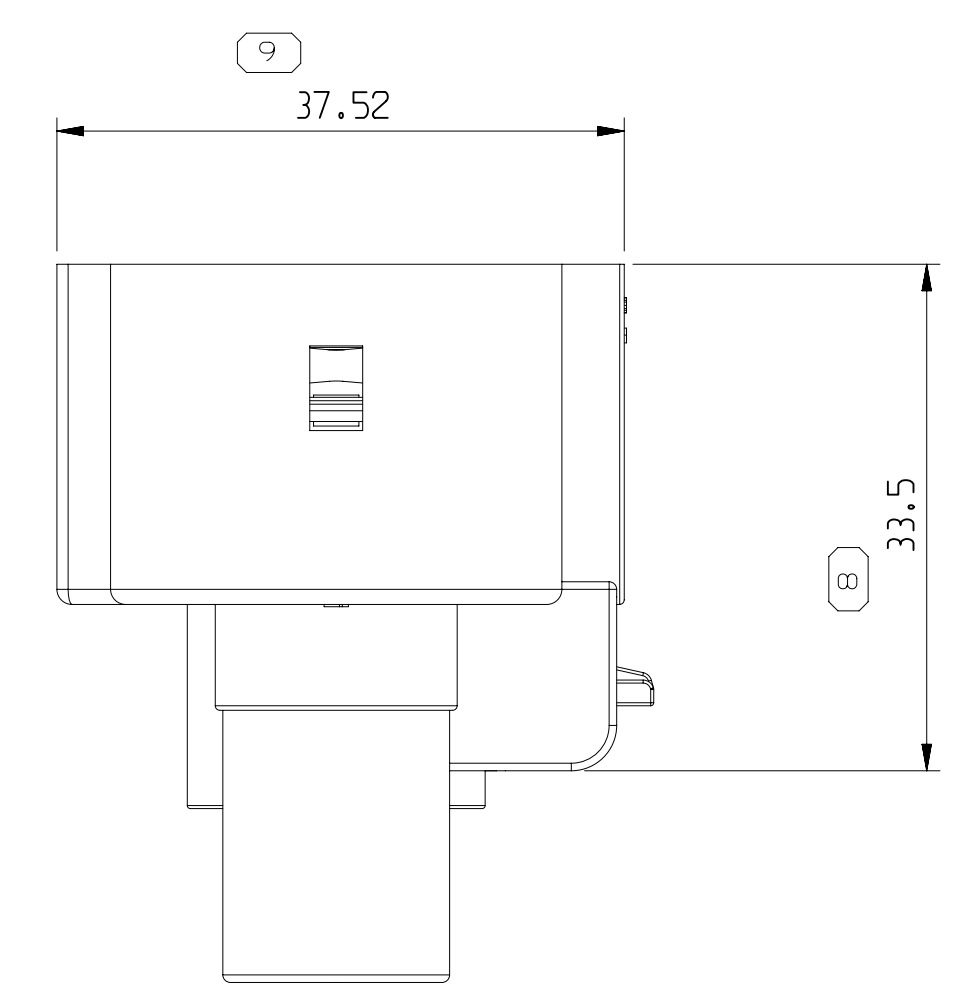
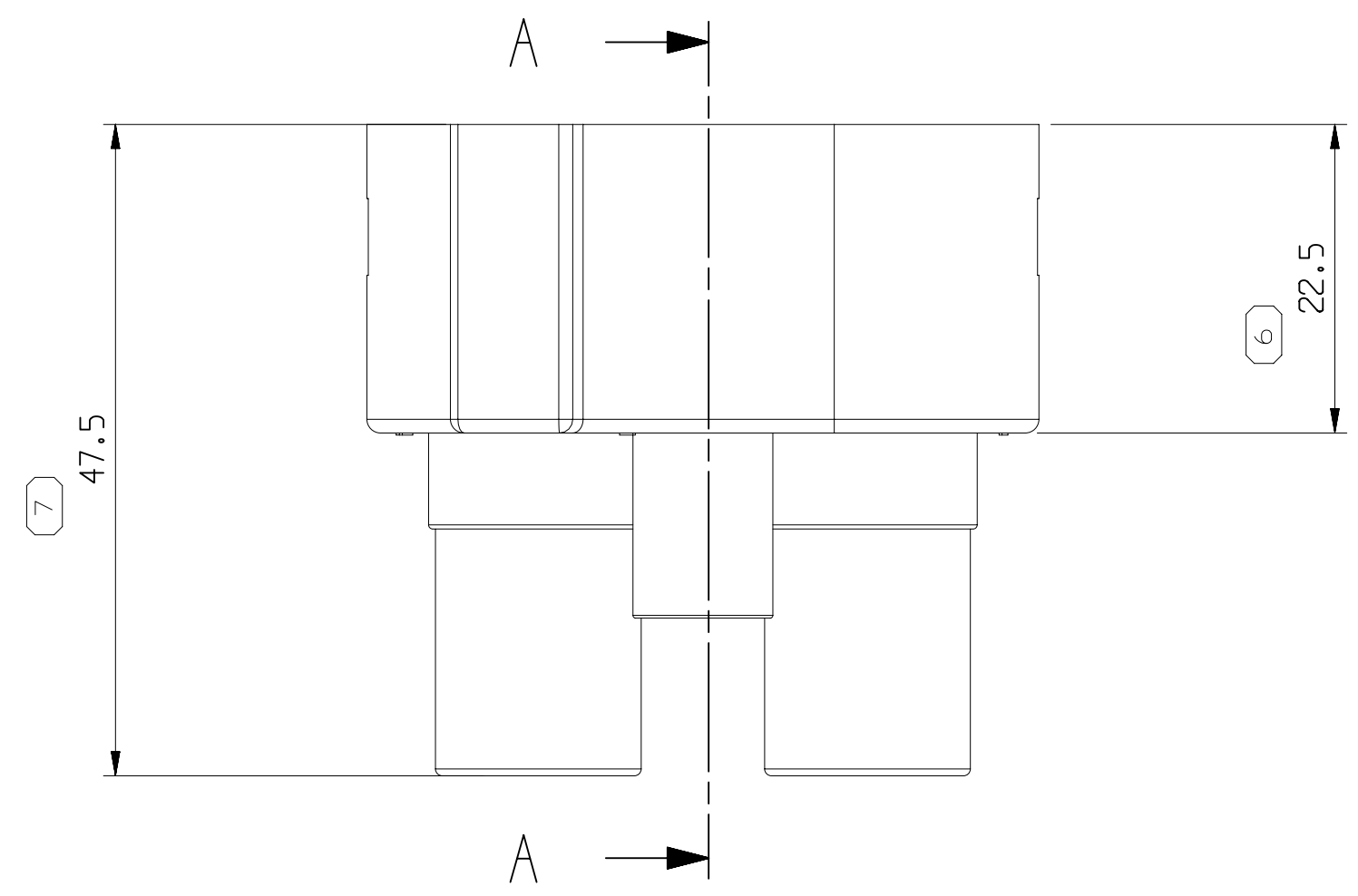
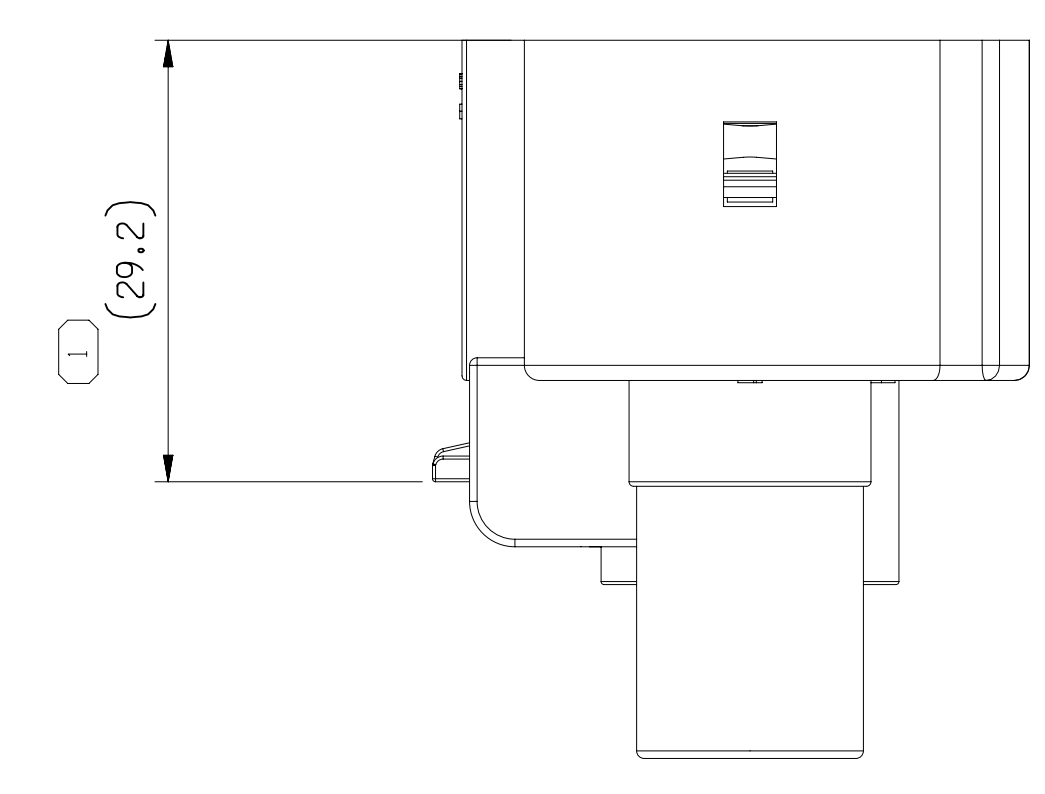
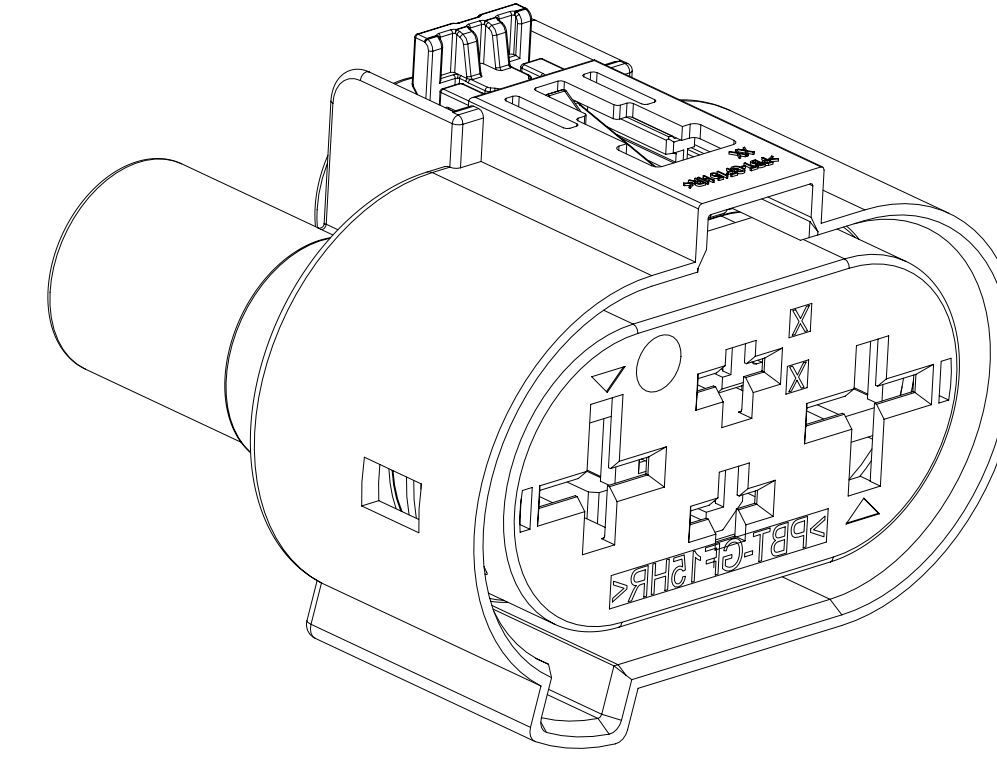
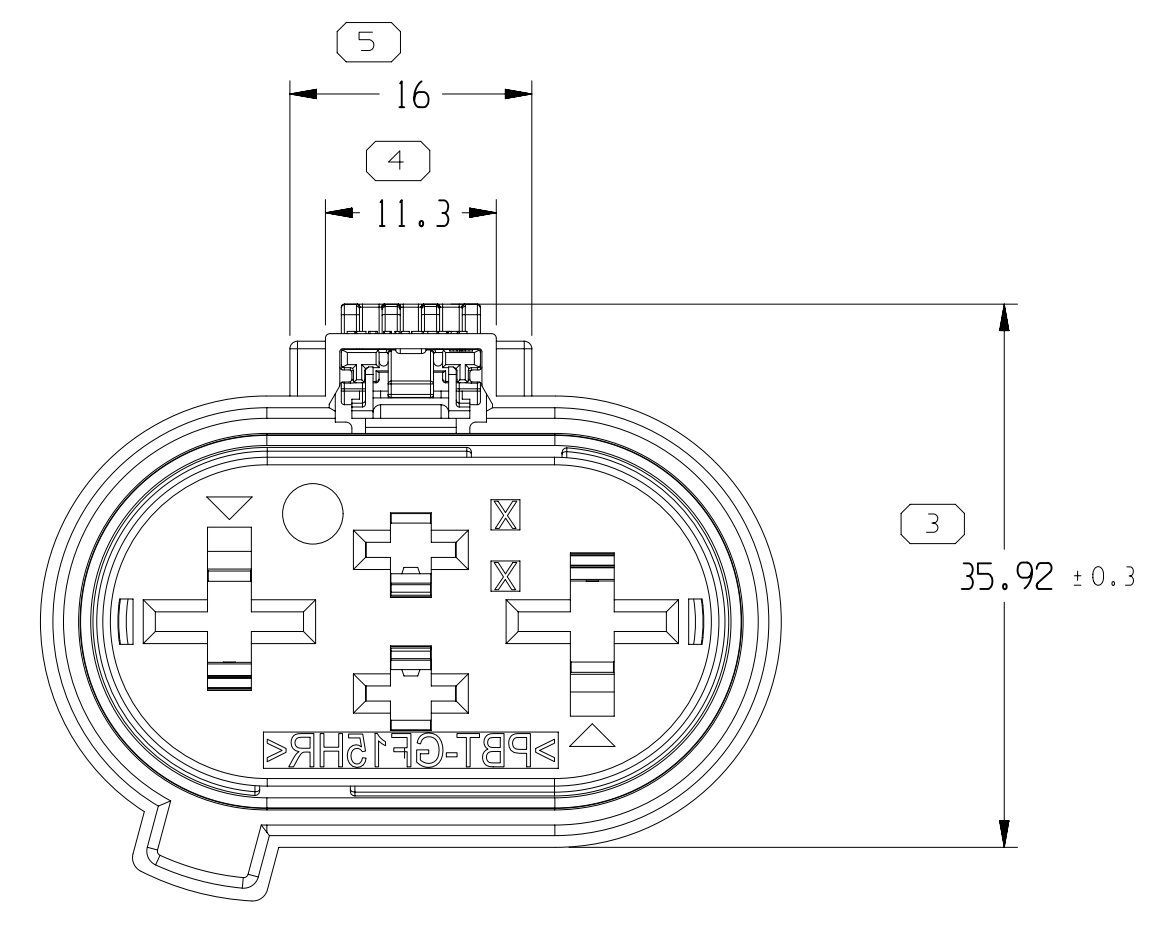


SYMBOL DEFINITION		TOTAL NO OF INSPECTIONS REQUIRED	9
A DIMENSION WITHOUT AN INSPECTION REPORT SYMBOL DOES NOT REQUIRE INSPECTION. IT MAY BE CONTROLLED ON THE INDIVIDUAL COMPONENT DRAWING.		LAST NO. USED	9

MISSING SYMBOLS		NO MISSING SYMBOL NUMBER		REVISION HISTORY		AUTH	DR	APVD	APVD	
DATE	STG	REV	N/P	CHG	ZONE					
10JA19	R	01	-	-		CREATE NEW DRAWING	N/A	HP	JYC	SBH
17AP19	R	02	-	-		CHANGE CPA LOCK STRUCTURE	N/A	HP	JYC	SBH
31MR21	R	02	AC	-		UPDATE CPA PN ADD TOLERANCE TO DIM.#3, WAS REF. DIM.	N/A	LW	KZ	HSB
02DE21	R	03	-	-		ADD ASSY NO.	447373	SC	KZ	JZ



DESCRIPTION	PART-NO.	WIRE CORSS SECTION (mm ²)	MATERIAL/S URFACE	PART-NO. FOR INSULATION(mm)	CRIMP SPEC.
2x FEMALE TERMINAL 'BOX' 9.5mm	33517392	>6.00-10.00	CONTACT BODY: Cu Cr Ti / OR Si/ Sn (K75)	10889241 / OR 15327788	5.4-6.6 / 4.0-5.5
	10780234	>4.00-6.00	LOCKING SPRING: x10 Cr Ni 18 B / BLANK	15327788 / OR 13546490	4.0-5.5 / 3.4-4.4
	33517391	>2.50-4.00		15327788 / OR 13546490	4.0-5.5 / 3.4-4.4
	10780236	>1.5-2.5		13756673	2.7-3.0
	13546127	-		12186633	SEAL PLUG
2x FEMALE TERMINAL 'BOX' 4.8mm	10811290	>2.5-4.00	CONTACT BODY: Cu Cr Ti / OR Si/ Sn (K75)	12186636	3.10-4.3
	10811291	>1.00-2.50	LOCKING SPRING: x10 Cr Ni 18 B / BLANK	15443869	2.10-3.00
	10811289	0.5-1.00		10788269	1.40-2.30
	-		12066082	SEAL PLUG	

ASM PART NUMBER	ITEM NO	PART NUMBER	PART NAME	REV.	MATERIAL AND COLOR
35617964	4	13583159	LOCK CPA AXIAL	01	PBT 0F20 GRAY
	3	15536973	LOCK PLR	01	PBT 0F15 PINK
	2	35615990	CONN SEAL	01	SILICONE RUBBER BLU
35309267	1	35309266	4WAY CONN DCS-1 4.8 9.5	02	PBT 0F15 BLK
	4	13583159	LOCK CPA AXIAL	01	PBT 0F20 GRAY
	3	15536973	LOCK PLR	01	PBT 0F15 PINK
	2	33501124	CONN SEAL	01	SILICONE RUBBER ORA
	1	35309266	4WAY CONN DCS-1 4.8 9.5	02	PBT 0F15 BLK

- NOTES
- UNLESS OTHERWISE SPECIFIED AND/OR INDICATED: DIMENSIONS ARE TO FACE OF VIEW SHOWN AND AUTOMATICALLY ROUNDED BY COMPUTER FOR INSPECTION (SEE MATH MODEL FOR PRECISE DIMENSIONS). FOR ALL OTHER DIMENSIONS NOT SHOWN BUT REQUIRED FOR TOOL BUILD, SEE MATH MODEL FOR PRECISE TOOL PATH DATA.
 - TOOL CAVITY IDENTIFICATION SHOULD BE LOCATED AS CLOSE TO THE GATE AS POSSIBLE.
 - TERMINAL OPTION : SEE CHART

DIMENSIONAL RANGE (MM)	TOLERANCE (mm)	CHART	M
FROM > 0	> 6	> 30	> 70
TO 6	30	70	20
	160	200	240
	250	315	400
TOLERANCE UNLESS OTHERWISE SPECIFIED			
±0.1 ±0.2 ±0.3 ±0.4 ±0.45 ±0.55 ±0.7 ±0.85 ±1.05			
ANGULAR TOLERANCE ±1°			

APTIV
CONNECTION SYSTEMS
Anqing, China
COPYRIGHT 2019 APTIV. ALL RIGHTS RESERVED.

THIS DRAWING IS THE PROPERTY OF APTIV AND CONTAINS APTIV CONFIDENTIAL INFORMATION. THE REPRODUCTION, DISTRIBUTION AND UTILIZATION OF THIS DOCUMENT OR ITS RELATED CAD DATA, AS WELL AS COMMUNICATION OF ANY CONTENT TO OTHERS, WITHOUT EXPRESS AUTHORIZATION, IS PROHIBITED.

DR	DATE
APVD1 HUA PAN	10JA19
APVD2 JIAYUN CHEN	10JA19
APVD3 SUIBIN HUANG	10JA19
APVD4	
APVDS	

SUBSTANCES OF CONCERN AND RECYCLED CONTENT PER APTIV 10949001

DRAWING NAME: ASM CONN 4 DCS-1 4.8 9.5 SLD
DRAWING NUMBER: 35309267
SIZE: A0
SCALE: 2:1
FRAME NO: 1 OF 1
SHEET NO: 1 OF 1
STG REV: R 03