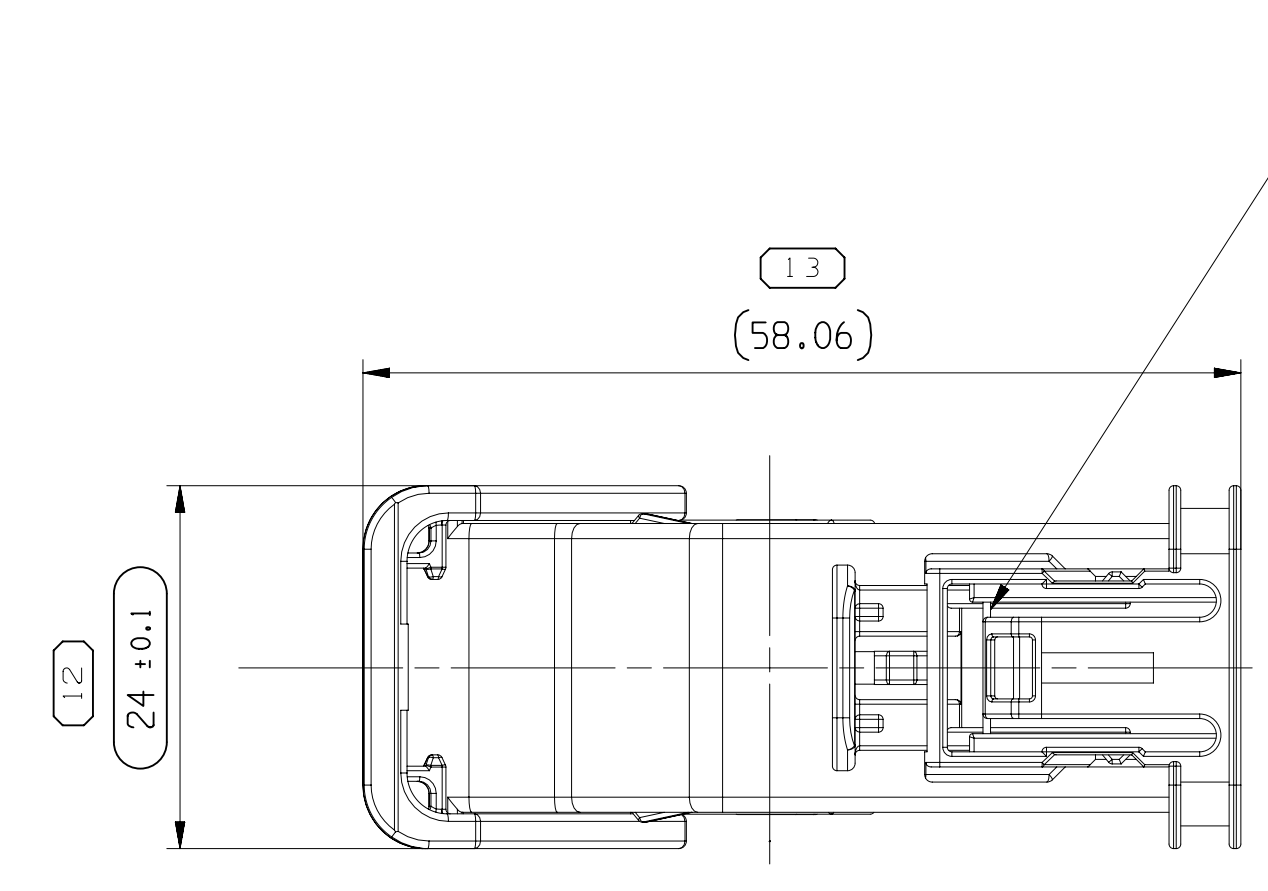


LEVEL	DESCRIPTION	APN	REV	QTY	MATERIAL	COLOR	WEIGHT (g)
1	ASM CONN 54 FEMALE MTS064 CODE A	35561470	01	-	-	-	-
1.1	54W COVER CODE A	35561475	01	1	PBT GF30	BLACK	22.7
4	LEVER	35561482	01	1	PBT GF30	NATURAL	2.97
5	CPA	35574026	01	1	PBT GF30	RED	0.62
2	ASM CONN 54 FEMALE MTS064 CODE B	35561504	01	-	-	-	-
2.1	54W COVER CODE B	35561509	01	1	PBT GF30	GRAY	22.7
4	LEVER	35561482	01	1	PBT GF30	NATURAL	2.97
5	CPA	35574026	01	1	PBT GF30	RED	0.62
3	ASM CONN 54 FEMALE MTS064 CODE C	35561511	01	-	-	-	-
3.1	54W COVER CODE C	35561512	01	1	PBT GF30	BLUE	22.7
4	LEVER	35561482	01	1	PBT GF30	NATURAL	2.97
5	CPA	35574026	01	1	PBT GF30	RED	0.62

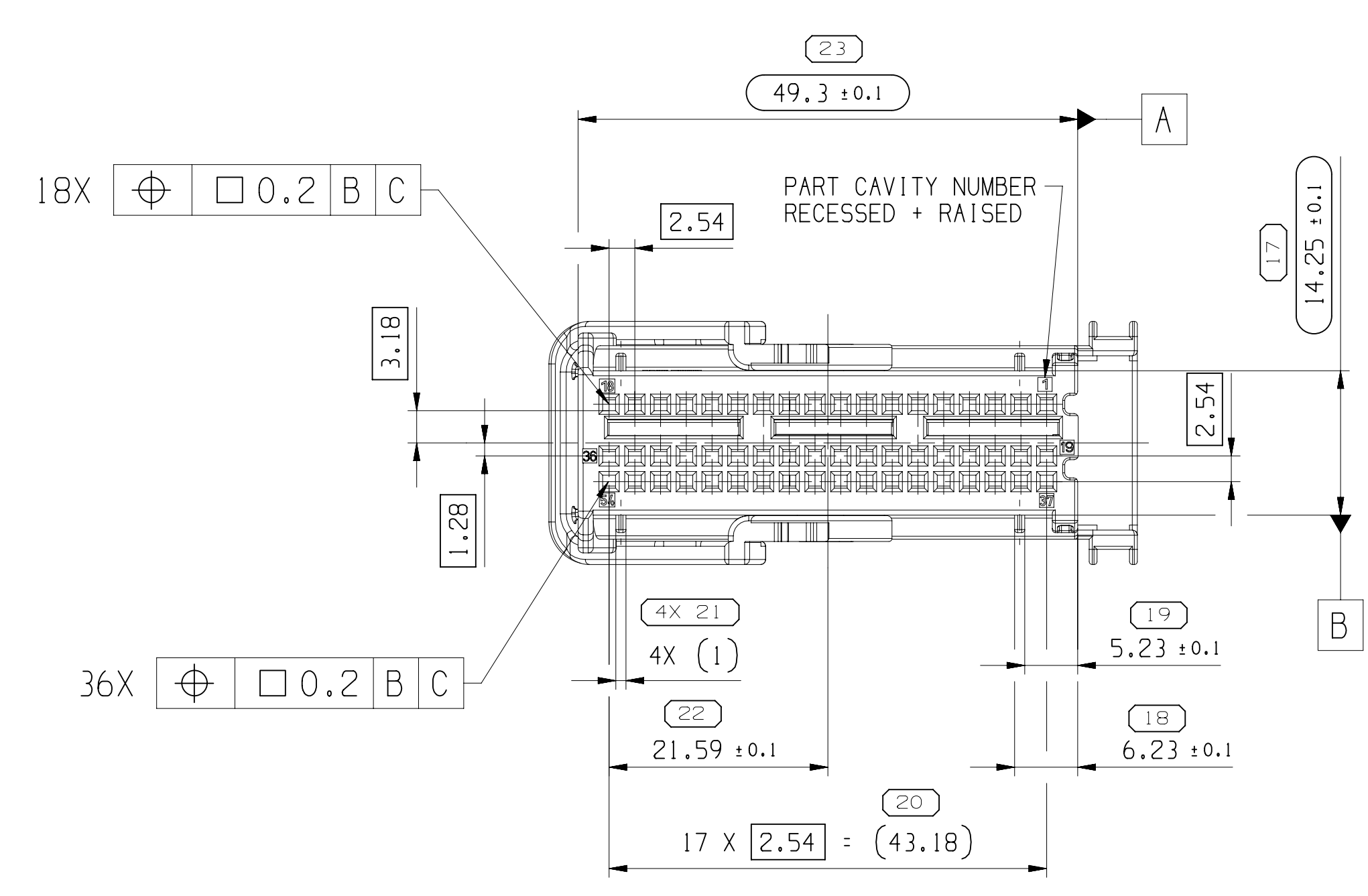
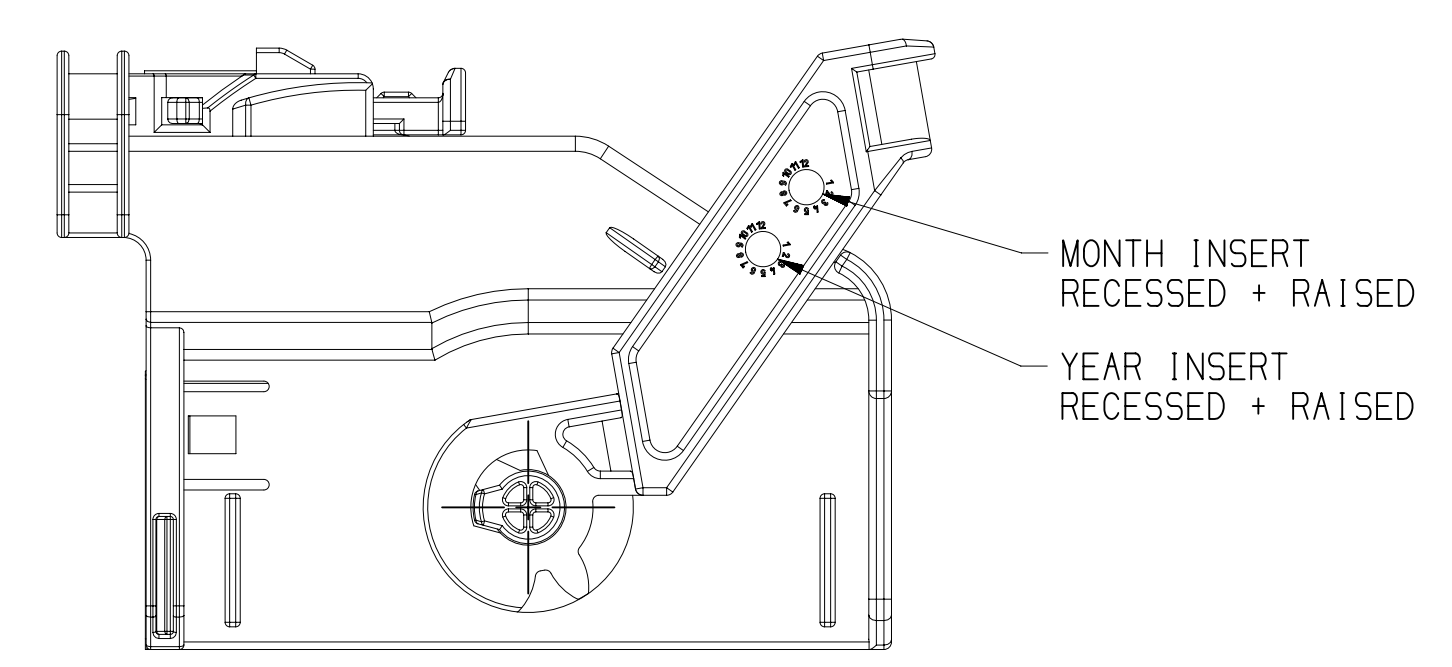
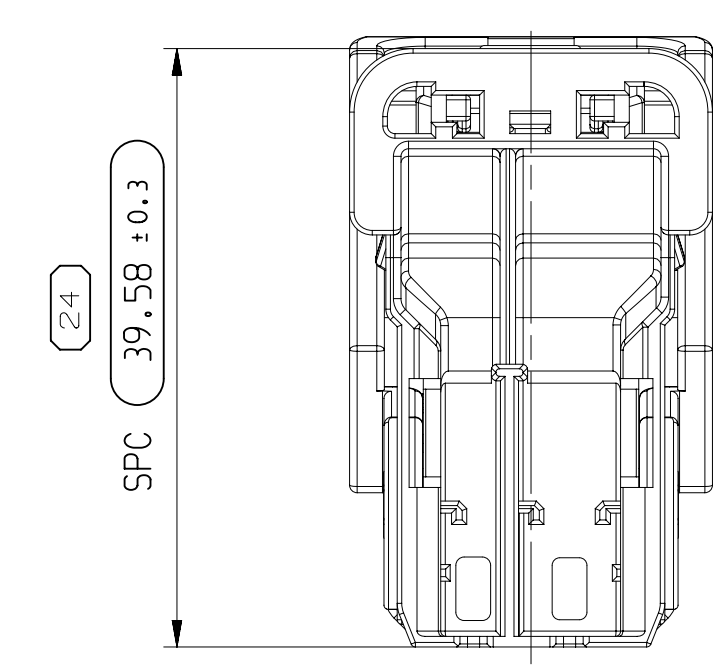
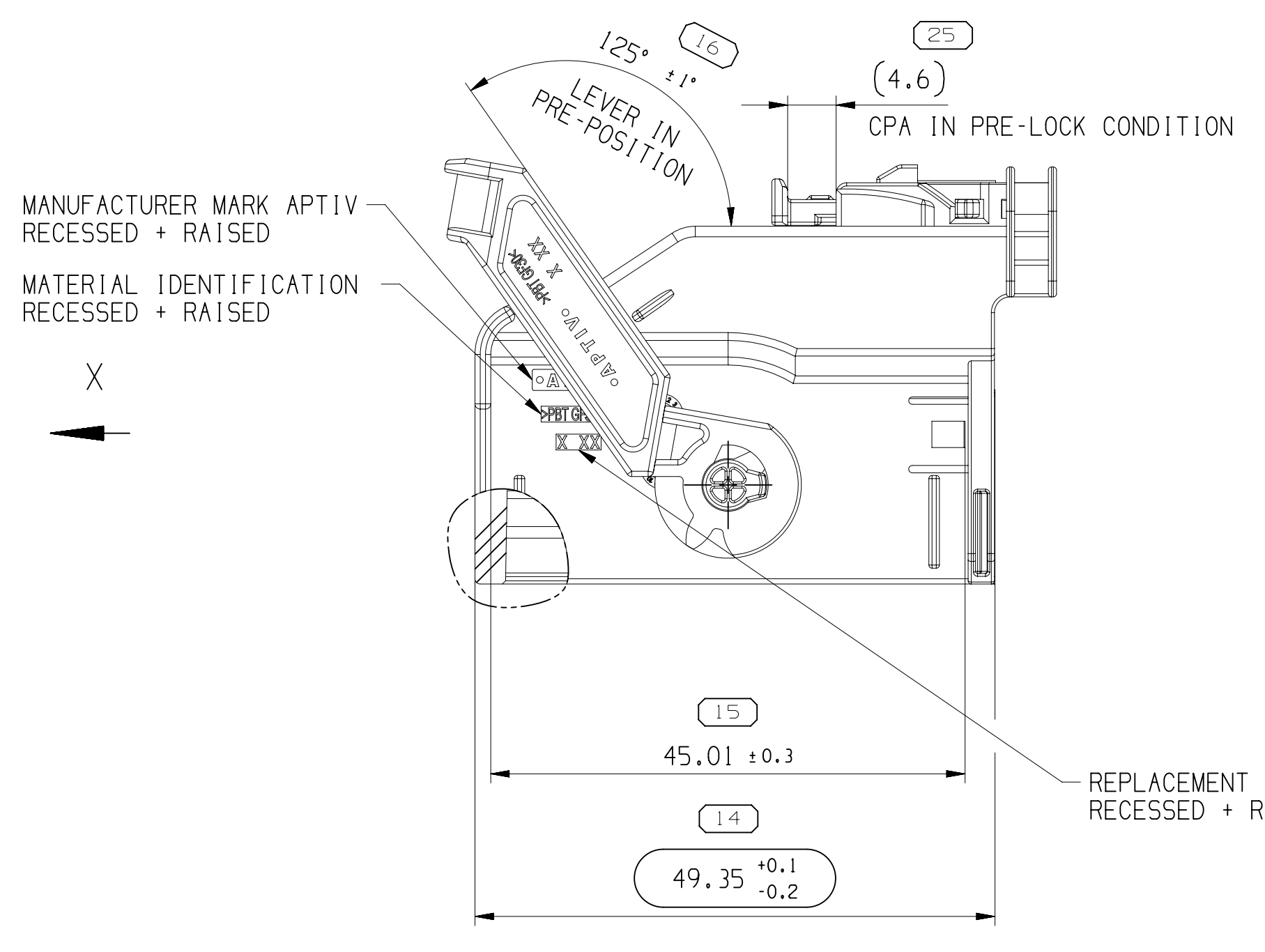
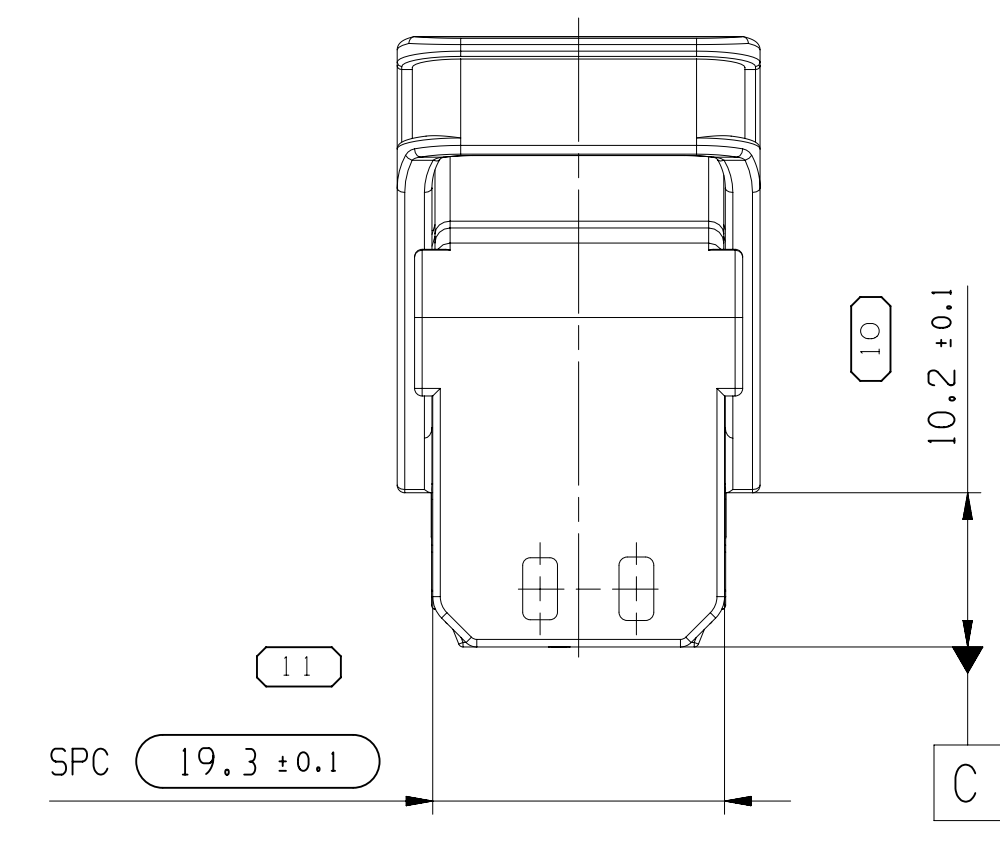
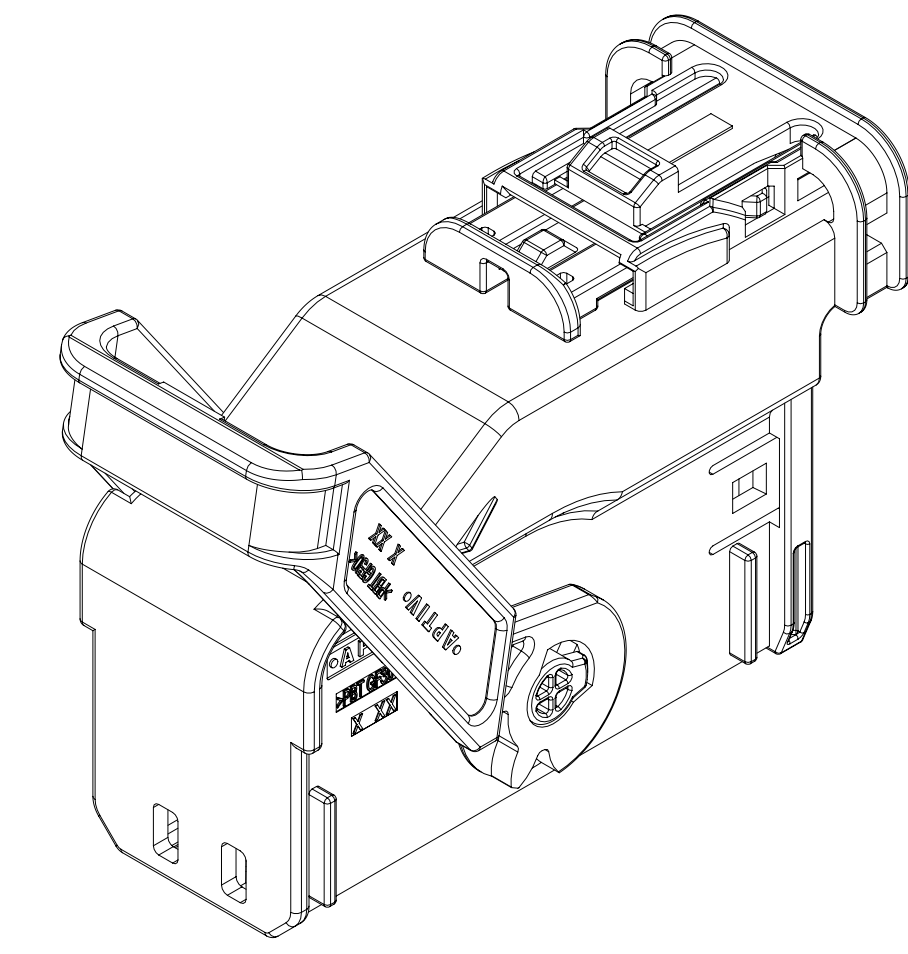
SYMBOL DEFINITION		TOTAL NO OF INSPECTIONS REQUIRED	
A	A DIMENSION WITHOUT AN INSPECTION REPORT SYMBOL DOES NOT REQUIRE INSPECTION. IT MAY BE CONTROLLED ON THE INDIVIDUAL COMPONENT DRAWING.	28	
		25	

MISSING SYMBOLS		NO MISSING SYMBOL NUMBER	
DATE	REV	DATE	REV
28AP21	R 01		
17NO22	R 01	AA	

REVISION HISTORY		AUTH	DR	APVD	APPV
CREATED PART DRAWING		446873		MJ	PP
ADD A NOTE		448554	MDC	HW	JZ



TETHERS ON THE REAR OF THE LATCH TO PREVENT CONNECTOR LOCK WARPING DOWN DURING COOLING PROCESS. REFERENCE SIZE AND POSITION AS GRAPHICALLY REPRESENTED ON THIS PRINT. TETHERS MAY BREAK DURING SHIPPING AND ASSEMBLY PROCESS AND THIS WILL NOT AFFECT PART FUNCTIONALITY.



- NOTES:
- NOT DIMENSIONED GEOMETRY HAS TO BE TAKEN FROM THE CORRESPONDING 3D DATA-FILE
  - MAXIMUM DRAFT ANGLE 0°30'
  - LETTERS AND ENGRAVINGS 0.1 MM RECESSED / RAISED
  - SPC: STATISTICAL PROCESS CONTROL
  - MATING PARTS:  
DWG-NO.: 35570305-CUS01-S02.
  - FOR APPLICATION DATA SEE THE INDIVIDUAL APPLICATION DRAWINGS.

DIMENSIONAL RANGE (MM)	TOLERANCE	CHART
FROM 0 TO 6	±0.1	M
6 TO 30	±0.15	M
30 TO 70	±0.2	M
70 TO 120	±0.3	M
120 TO 160	±0.4	M
160 TO 200	±0.5	M
200 TO 250	±0.7	M
250 TO 315	±1.0	M
315 TO 400	±1.5	M

PART DRAWING	
STYLE	D
VOLUME (CM)	SEE CHART
DISTR CODE	D
UNLESS OTHERWISE SPECIFIED	
THIS DOCUMENT IS IN ACCORDANCE WITH ASME Y14.5-2018. SEE APTIV ENGINEERING DESIGN STANDARD 06-2017 FOR ISO 1101:2004 DIMENSIONAL REQUIREMENTS.	
ALL DIMENSIONS ARE IN MILLIMETERS	
THIRD ANGLE PROJECTION	DO NOT SCALE
USE MATH DATA	

**DELPHI**  
CONNECTION SYSTEMS

Copyright 2021 DELPHI CORPORATION AND/OR ITS AFFILIATES. ALL RIGHTS RESERVED.

THIS DRAWING IS THE PROPERTY OF DELPHI CORPORATION AND CONTAINS DELPHI CONFIDENTIAL INFORMATION. THE REPRODUCTION, DISTRIBUTION AND UTILIZATION OF THIS DOCUMENT OR ITS RELATED CAD DATA, AS WELL AS COMMUNICATION OF ANY CONTENT TO OTHERS, WITHOUT EXPRESS AUTHORIZATION, IS PROHIBITED.

DR	MUGUNTHAN J	DATE	28AP21
APVD1	PRABHU P	DATE	28AP21
APVD3	MAODONG CHEN	DATE	28AP21
APVD4		DATE	

MATERIAL: TAXI COV BACK

DRAWING NUMBER: 35561557

SIZE: A0 SCALE: 2:1 FRAME NO: 1 OF 1 SHEET NO: 1 OF 1 REV: 01 AA