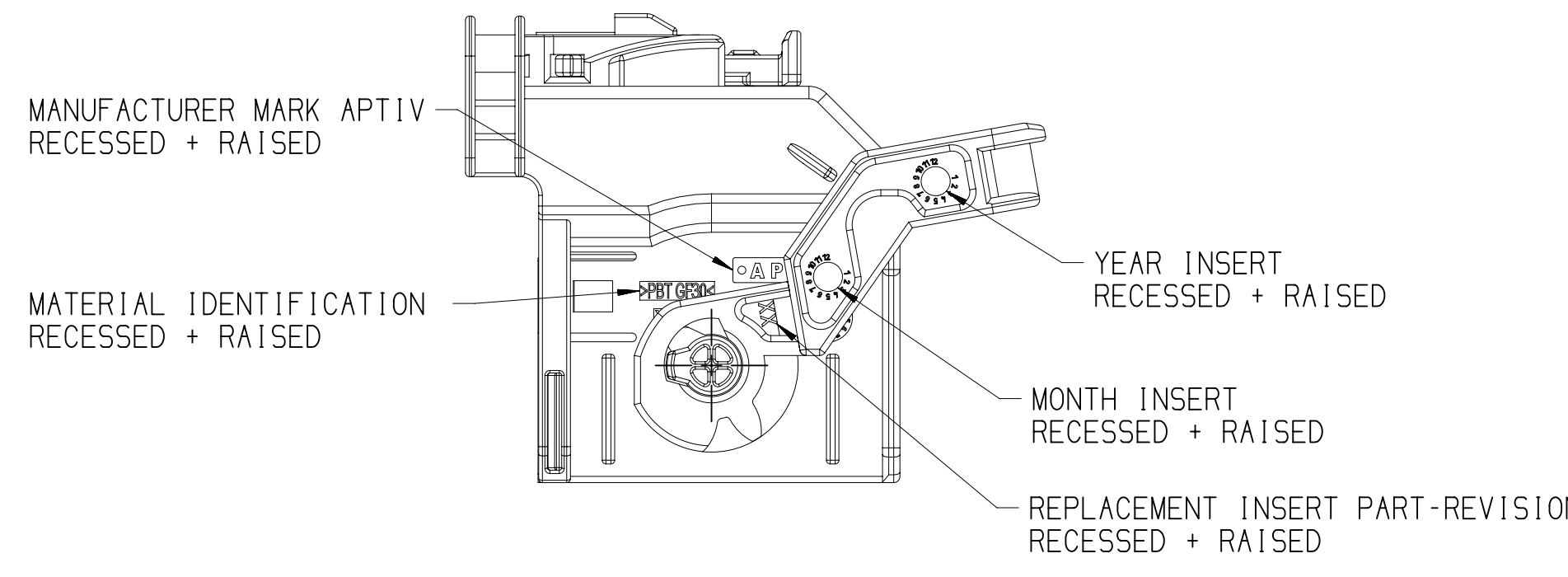
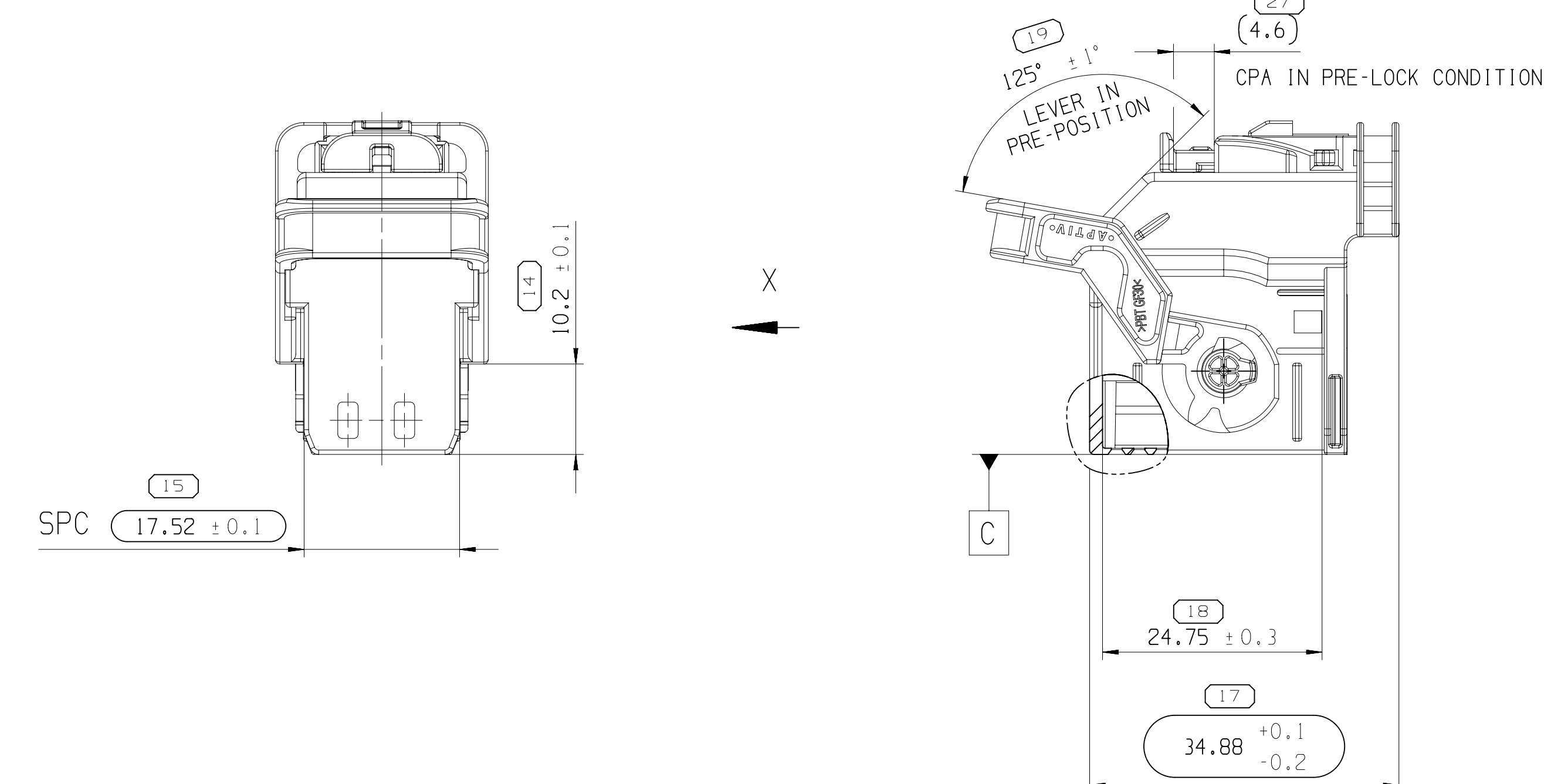
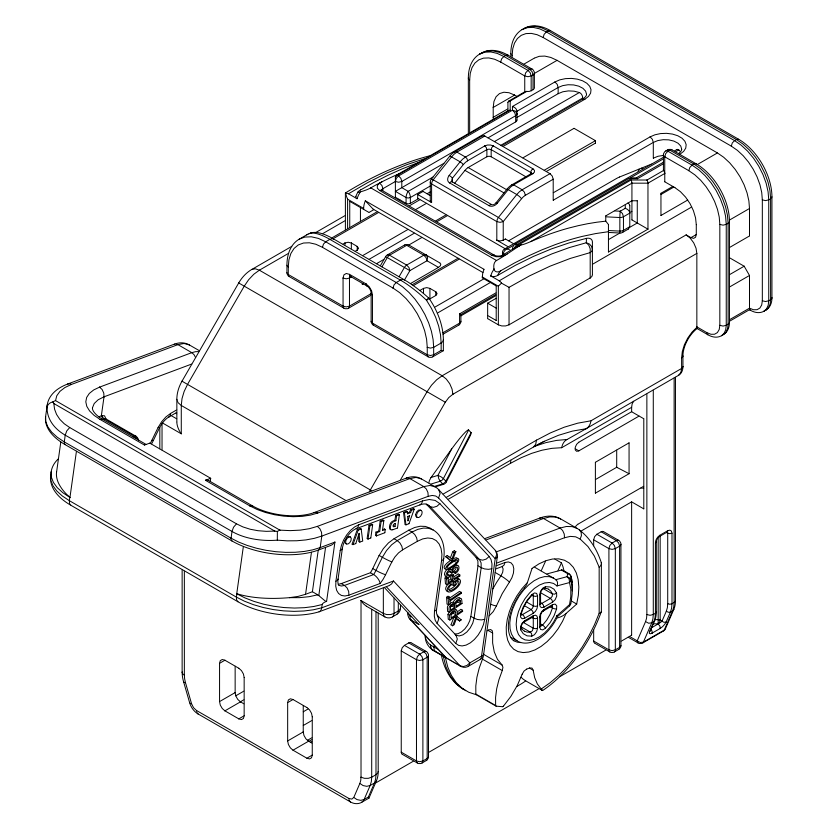
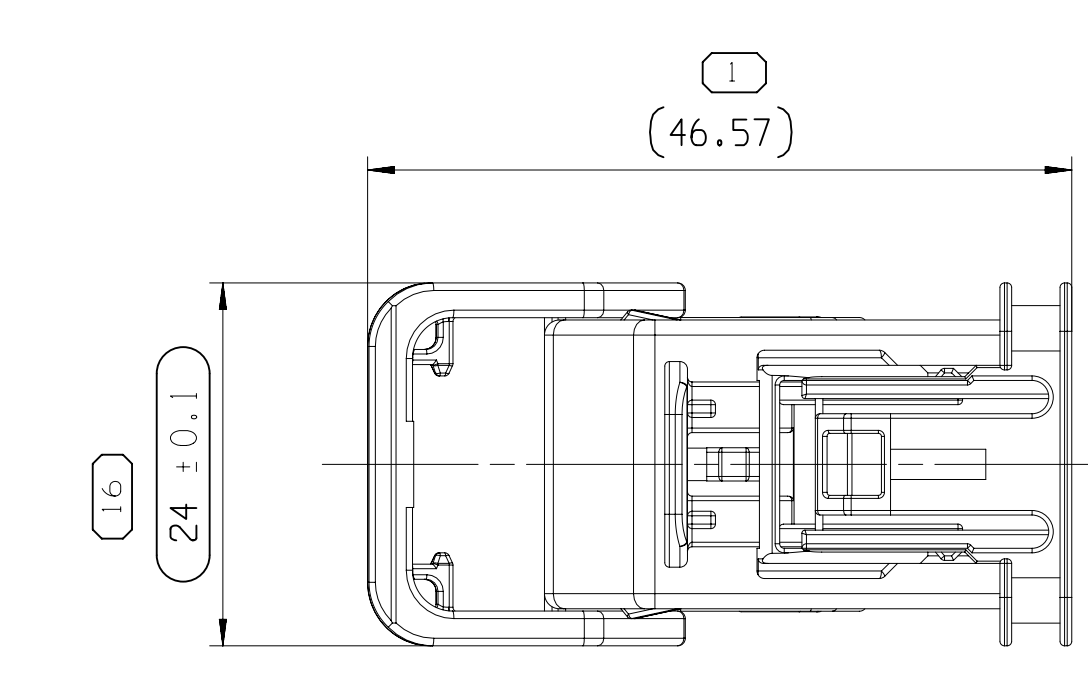


LEVEL	DESCRIPTION	APN	REV	QTY	MATERIAL	COLOR	WEIGHT (g)
1	ASM CONN 30 FEMALE MTS064 CODE A	35561513	01	-	-	-	-
1.1	30W COVER CODE A	35561514	01	1	PBT GF 30	BLACK	16.17
4	LEVER	35561517	01	1	PBT GF 30	NATURAL	2.76
5	CPA	35574026	01	1	PBT GF 30	RED	0.62
2	ASM CONN 30 FEMALE MTS064 CODE B	35561524	01	-	-	-	-
2.1	30W COVER CODE B	35561532	01	1	PBT GF 30	GRAY	16.17
4	LEVER	35561517	01	1	PBT GF 30	NATURAL	2.76
5	CPA	35574026	01	1	PBT GF 30	RED	0.62
3	ASM CONN 30 FEMALE MTS064 CODE C	35561538	01	-	-	-	-
3.1	30W COVER CODE C	35561539	01	1	PBT GF 30	BLUE	16.17
4	LEVER	35561517	01	1	PBT GF 30	NATURAL	2.76
5	CPA	35574026	01	1	PBT GF 30	RED	0.62

SYMBOL DEFINITION		MISSING SYMBOLS	
A DIMENSION WITHOUT AN INSPECTION REPORT SYMBOL DOES NOT REQUIRE INSPECTION. IT MAY BE CONTROLLED ON THE INDIVIDUAL COMPONENT DRAWING.		NO MISSING SYMBOL NUMBER	30
		LAST NO. USED	27

DATE		REV		NO/P		CHG		ZONE		REVISION HISTORY		AUTH		DR		APVD	
06MY21		R		01						CREATED PART DRAWING		446873		MJ		PP	



NOTES:

- NOT DIMENSIONED GEOMETRY HAS TO BE TAKEN FROM THE CORRESPONDING 3D DATA-FILE
- MAXIMUM DRAFT ANGLE 0°30'
- LETTERS AND ENGRAVINGS 0.1 MM RECESSED / RAISED
- SPC: STATISTICAL PROCESS CONTROL
- MATING PARTS:
INSERT: DWG-NO.: 35570305-CUS01-S01.
- FOR APPLICATION DATA SEE THE INDIVIDUAL APPLICATION DRAWINGS.

APTIV	
CONNECTION SYSTEMS	
Draught, India	
COPYRIGHT 2021 APTIV. ALL RIGHTS RESERVED.	
THIS DRAWING IS THE PROPERTY OF APTIV AND CONTAINS APTIV CONFIDENTIAL INFORMATION. THE REPRODUCTION, DISTRIBUTION AND UTILIZATION OF THIS DOCUMENT OR ITS RELATED CAD DATA, AS WELL AS COMMUNICATION OF ANY CONTENT TO OTHERS, WITHOUT EXPRESS AUTHORIZATION, IS PROHIBITED.	
DR	MUGUNTHAN J
APVD1	06MY21
APVD2	PRABHU P
APVD3	MAODONG CHEN
APVD4	
APVD5	
SUBSTANCES OF CONCERN AND RECYCLED CONTENT PER APTIV STANDARD 06-2017 FOR ISO 1101:2004 REVISION REQUIREMENTS.	
MATERIAL	
SEE CHART	
DRAWING NAME	
COVER AND LEVER 30 WAY	
DRAWING NUMBER	
35561560	
SIZE	A0
SCALE	2:1
FRAME NO	1 OF 1
SHEET NO	1 OF 1
REV	R 01
APP	AA

DIMENSIONAL RANGE (MM)		CHART	
FROM	TO	M	M
0	6	>30	>70
6	30	>70	>120
30	160	>120	>200
160	250	>200	>250
250	315	>250	>315
315	400	>315	>400
TOLERANCE (UNLESS OTHERWISE SPECIFIED)		TOLERANCE (UNLESS OTHERWISE SPECIFIED)	
±0.1 ±0.2 ±0.3 ±0.4 ±0.45 ±0.5 ±0.7 ±0.85 ±1.05		±0.1 ±0.2 ±0.3 ±0.4 ±0.45 ±0.5 ±0.7 ±0.85 ±1.05	
ANGULAR TOLERANCE ±1°		ANGULAR TOLERANCE ±1°	