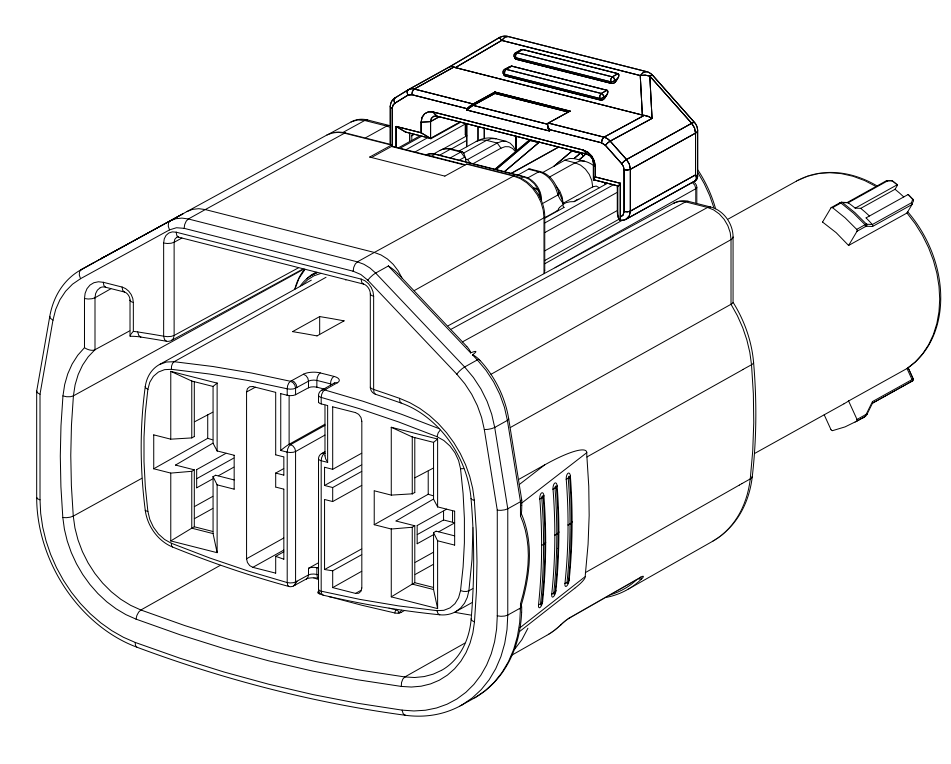
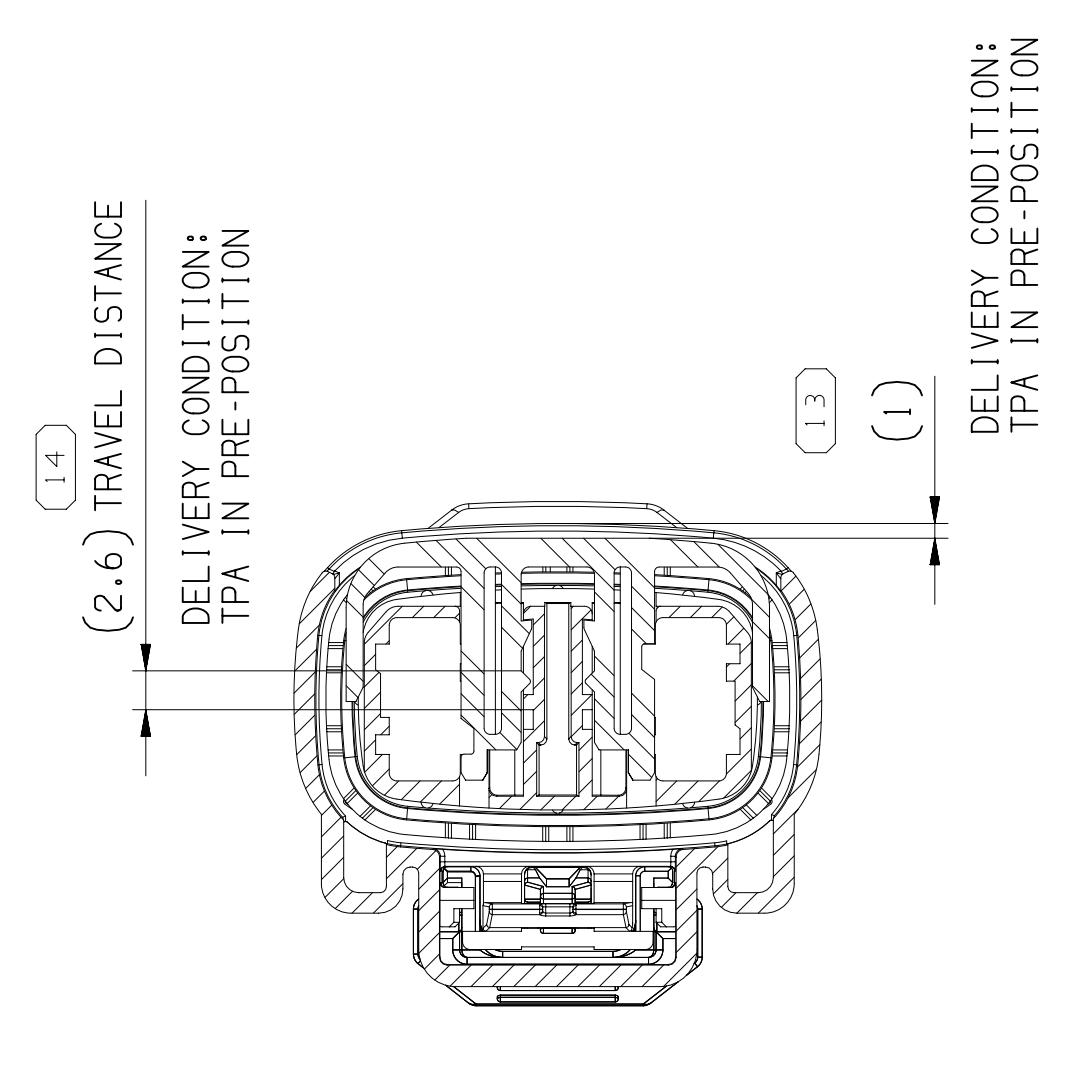


ALL DIMENSIONS SAME AS CODE - A EXCEPT AS SHOWN

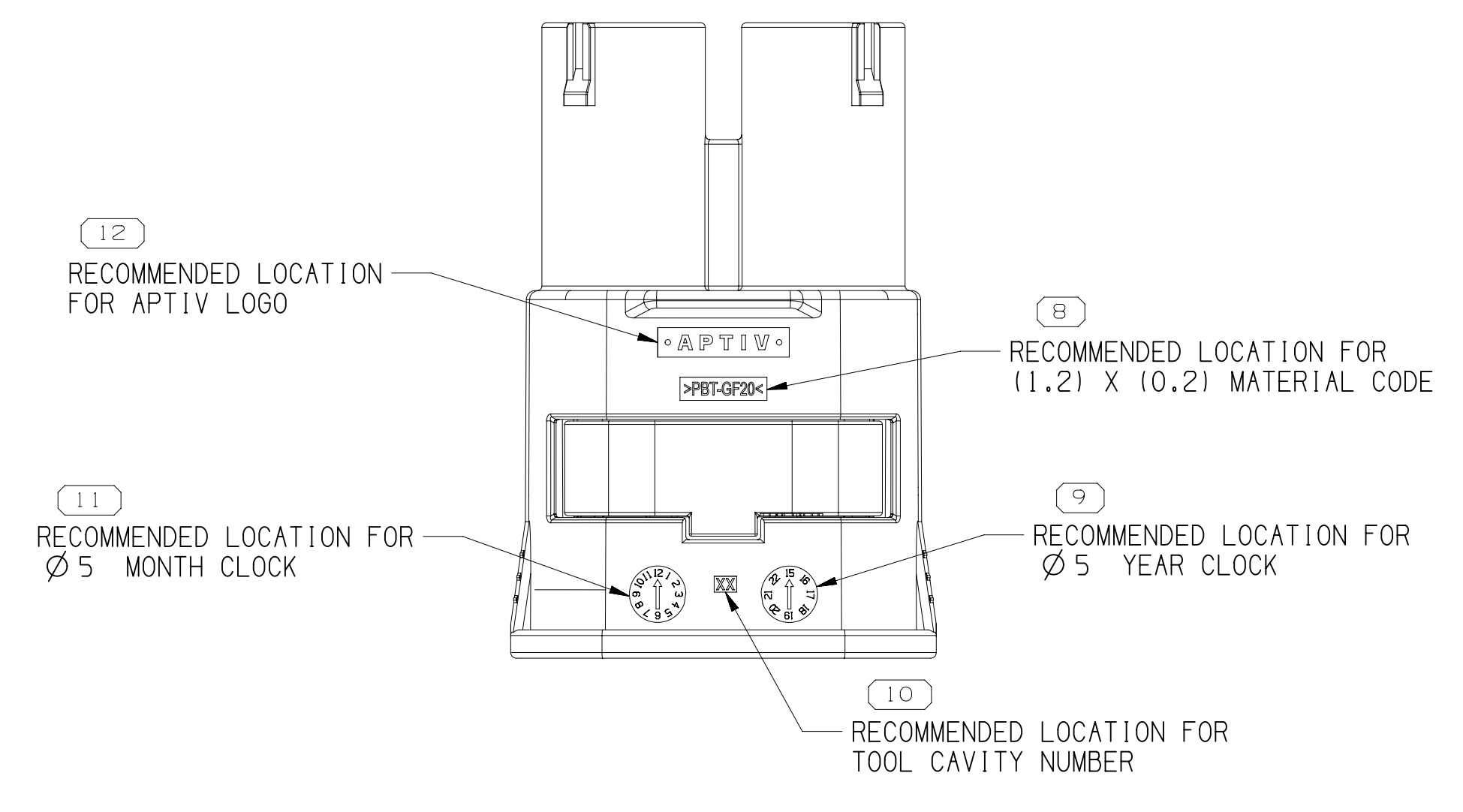
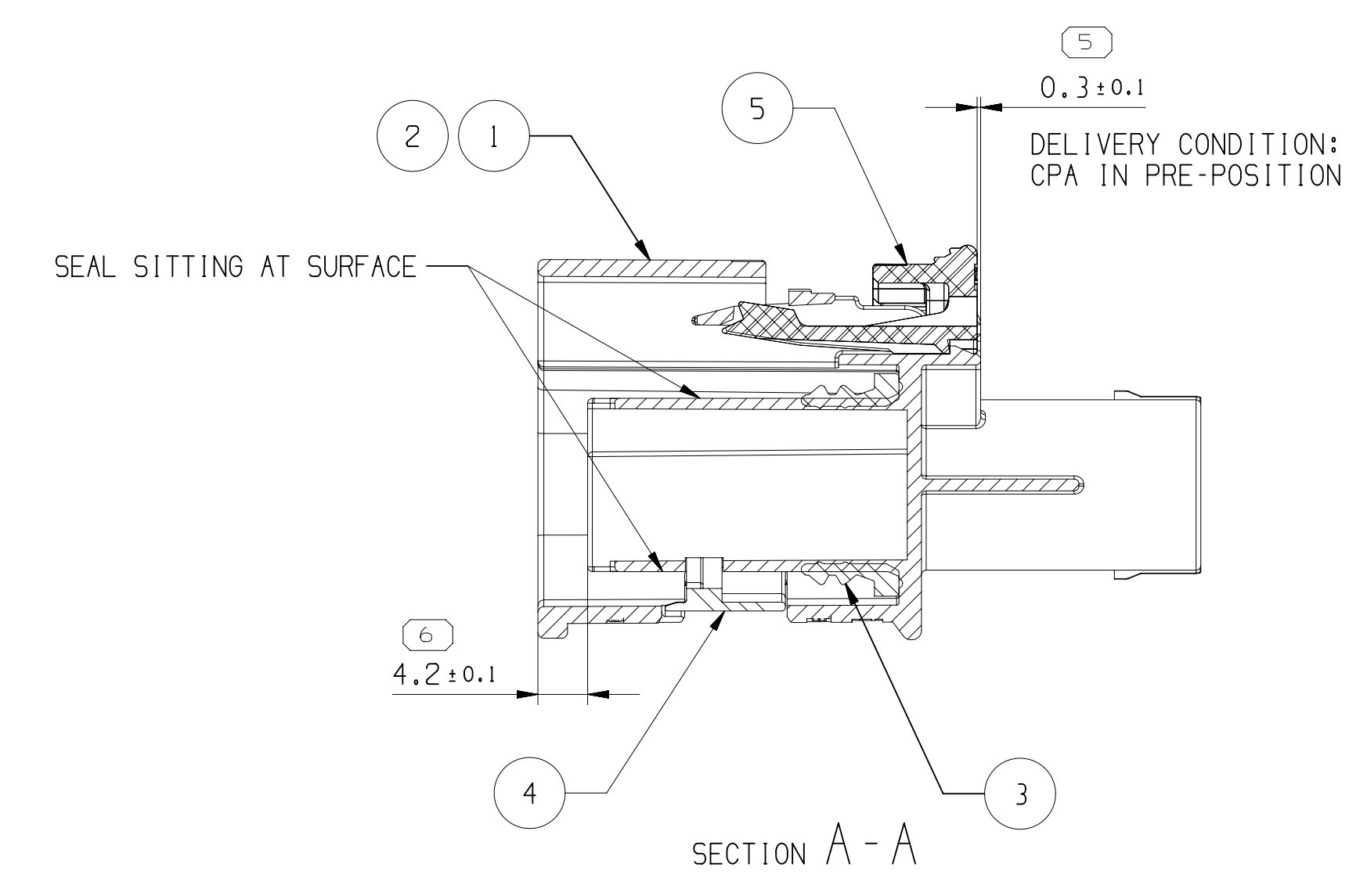
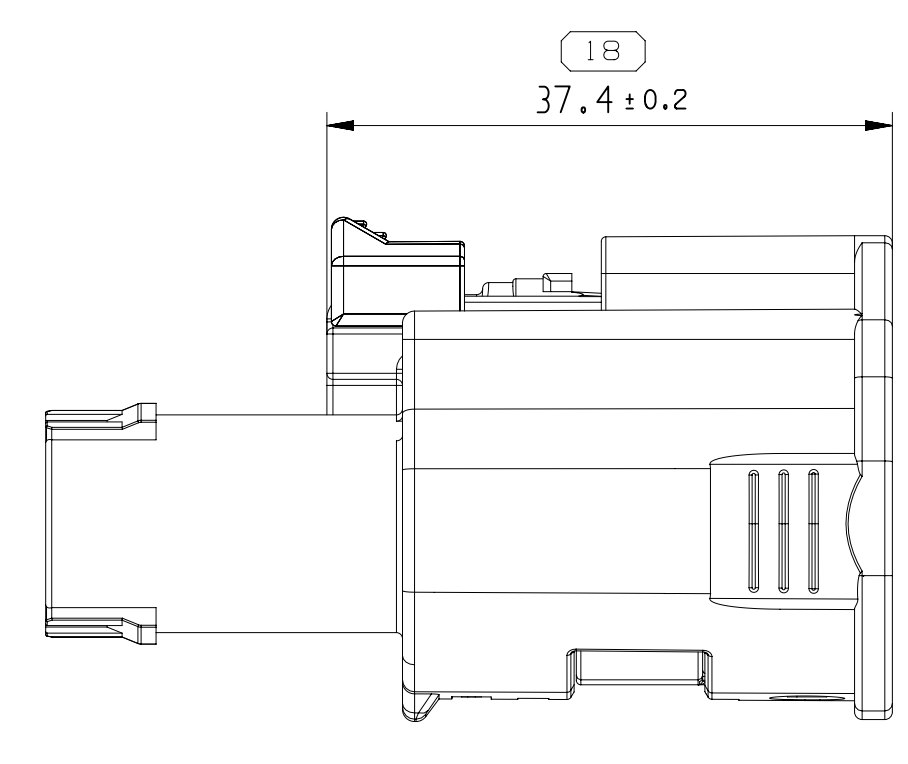
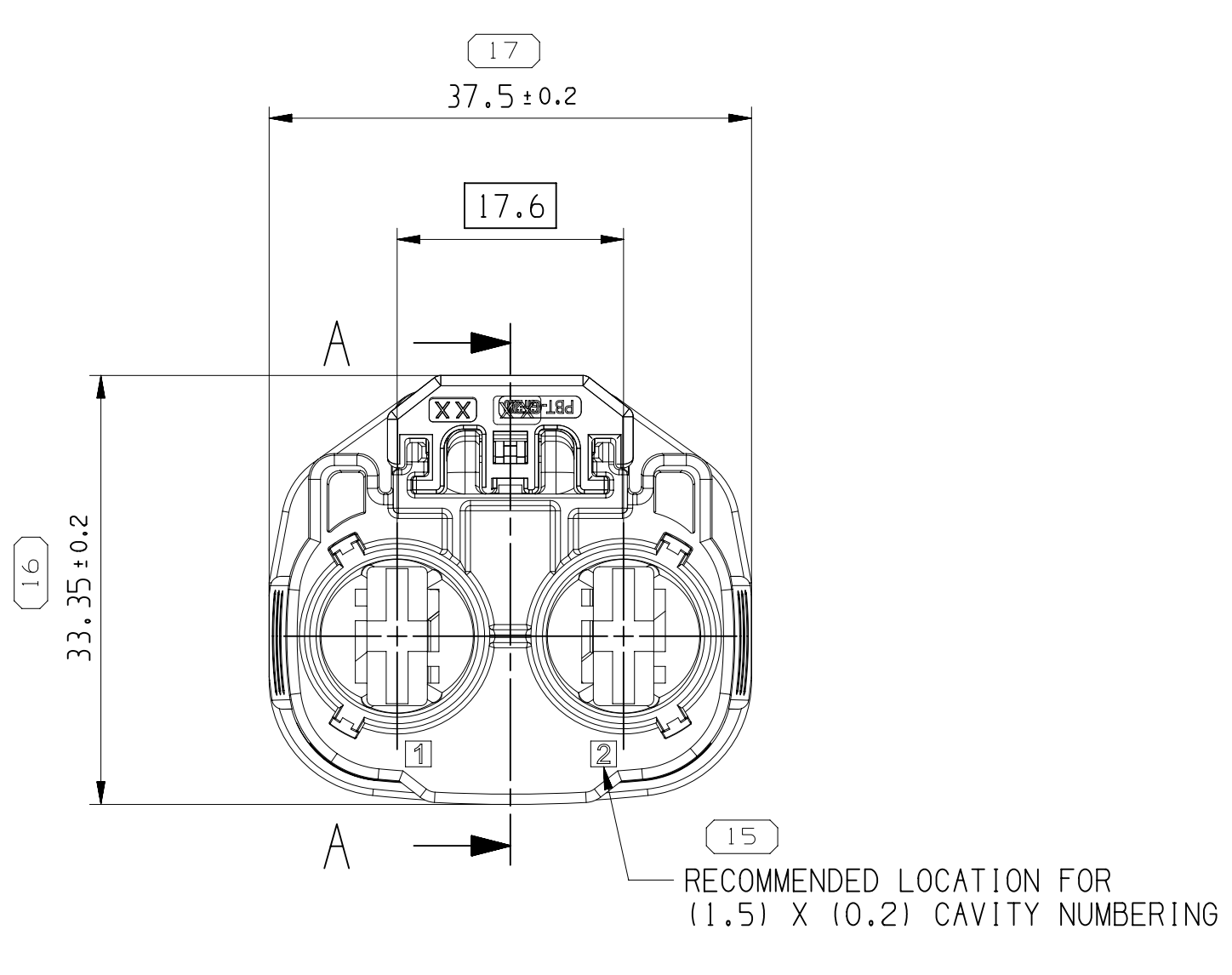
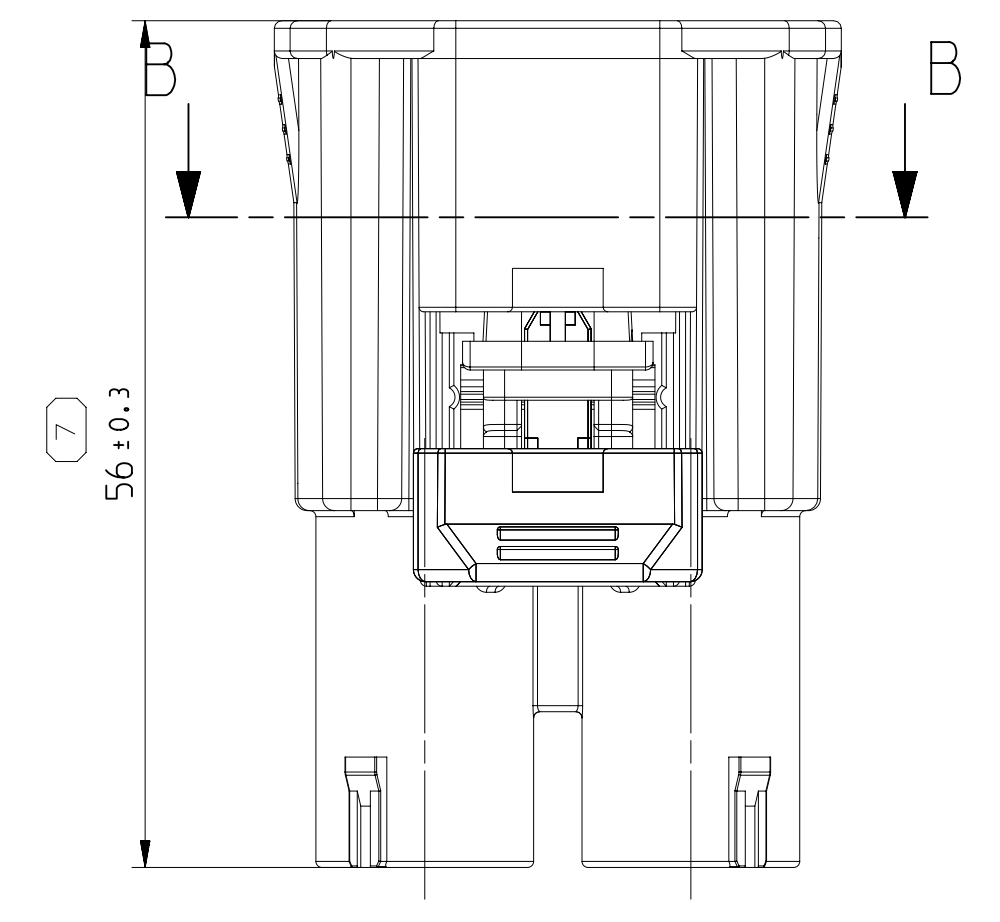
SYMBOL DEFINITION

A DIMENSION WITHOUT AN INSPECTION REPORT SYMBOL DOES NOT REQUIRE INSPECTION. IT MAY BE CONTROLLED ON THE INDIVIDUAL COMPONENT DRAWING.	TOTAL NO OF INSPECTIONS REQUIRED	18
	LAST NO. USED	18

DWG STATUS				ZONE				REVISION HISTORY				AUTH		DR	APVD	APVD
DATE	STG	REV	N/P	CHG												
250C21	R	01	-	-										448473	SHR	CM



3D VIEW



- NOTES:
- UNLESS OTHERWISE SPECIFIED AND/OR INDICATED: DIMENSIONS ARE TO FACE OF VIEW SHOWN AND AUTOMATICALLY ROUNDED BY COMPUTER FOR PRECISE DIMENSIONS. FOR TOOL OTHER DIMENSIONS NOT SHOWN BUT REQUIRED FOR TOOL BUILD, SEE MATH MODEL FOR PRECISE TOOL PATH DATA. ALL RADII 0.5. ALL CHAMFERS 0.5 X45°. DRAFT IS .5° MAX ON ALL OUTSIDE SURFACE. LIKE CAVITIES ARE IDENTICAL.
  - MATERIAL RECYCLING CODE PER ISO 11469. (1,1)X(0,1) CHARACTERS AS SHOWN TO BE LOCATED ON ANY EXTERIOR SURFACE.
  - FOR APPLICATION DATA SEE APPLICATION DRAWING.

Dwg Type: PART DRAWING	
Style: SEE CHART	Distr Code: D
UNLESS OTHERWISE SPECIFIED THIS DOCUMENT IS IN ACCORDANCE WITH ASME Y14.5-2019. SEE APTIV ENGINEERING DESIGN STANDARD 06-2017 FOR ISO 1101:2004 DIMENSIONAL REQUIREMENTS.	
ALL DIMENSIONS ARE IN MILLIMETERS	
Third Angle Projection	Do Not Scale
Use Math Data	NX

**APTIV**  
CONNECTION SYSTEMS  
Arling, China  
COPYRIGHT 2021 APTIV. ALL RIGHTS RESERVED.

THIS DRAWING IS THE PROPERTY OF APTIV AND CONTAINS APTIV CONFIDENTIAL INFORMATION. THE REPRODUCTION, DISTRIBUTION AND UTILIZATION OF THIS DOCUMENT OR ITS RELATED CAD DATA, AS WELL AS COMMUNICATION OF ANY CONTENT TO OTHERS, WITHOUT EXPRESS AUTHORIZATION, IS PROHIBITED.

DR	DATE
APVD1 HANIF ROSHAN	250C21
APVD2 CHEN MAODONG	250C21
APVD3 SUJIBIN HUANG	250C21
APVD4	

MATERIAL: SEE CHART  
DRAWING NAME: TAXI CONN 2 F CTS 950 5LD  
DRAWING NUMBER: 35697186  
SIZE: A0  
SCALE: 2:1  
FRAME NO: 1 OF 1  
SHEET NO: 1 OF 1  
STG REV N/P: R 01

REP.	APTIV P/N	DESIGNATION	QTY	MATERIAL / COLOUR	VOLUME [CM <sup>3</sup> ]
5	35592613	CPA	1	POLYESTER BLEND, RED	0.55
4	35592611	TPA	1	POLYESTER BLEND, NATURE	0.75
3	35592621	CONNECTOR SEAL	1	SILICONE, ORANGE	0.50
2	35592624	FEMALE HOUSING	1	POLYESTER BLEND, GRAY	13.70
B	35592566	2W FEMALE ASM CODE-B	1	-	-
5	35592613	CPA	1	POLYESTER BLEND, RED	0.55
4	35592611	TPA	1	POLYESTER BLEND, NATURE	0.75
3	35592621	CONNECTOR SEAL	1	SILICONE, ORANGE	0.50
1	35592608	FEMALE HOUSING	1	POLYESTER BLEND, BLK	13.70
A	35592563	2W FEMALE ASM CODE-A	1	-	-

(7) PROCESS SENSITIVE DIMENSION	CHART M
DIMENSIONS ENCLOSED IN ( ) INDICATE REFERENCE DIMENSING AND NO TOLERANCE LIMITS ARE ESTABLISHED	FROM TO
	0 6 30 70 120 160 200 250 315
	6 30 70 120 160 200 250 315 400
	TOLERANCE UNLESS OTHERWISE SPECIFIED
	±0.1   ±0.2   ±0.3   ±0.4   ±0.45   ±0.55   ±0.7   ±0.85   ±1.05
	ANGULAR TOLERANCE ±1°